

GN 412.1

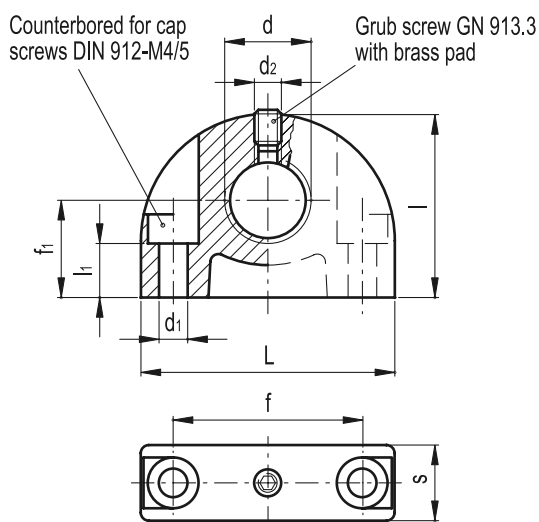
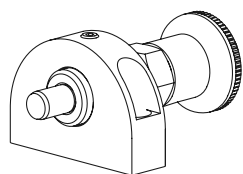
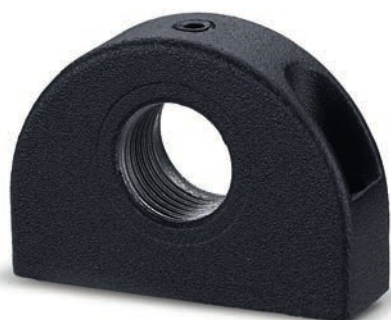
Mounting blocks

- Material**

Die-cast zinc alloy, plastic coated, black colour, matte finish.

- Features and applications**

Mounting blocks GN 412.1 broaden the mounting possibilities and are an added feature for the cam action indexing plungers GN 612 (see page 538), GN 712 (see page 546) and GN 712.1 (see page 548).



GN 412.2

Positioning bushings

- Material**

Nitrided steel.

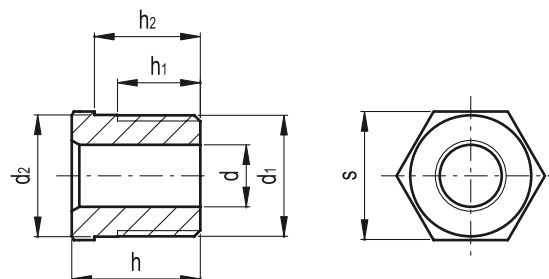
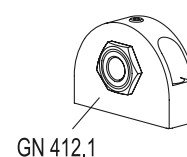
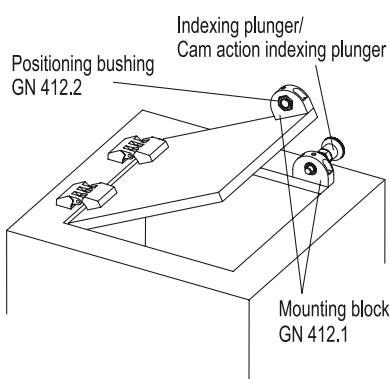
- Features and applications**

Positioning bushings GN 412.2 are used in connection with bolts of indexing plungers and cam action indexing plungers.

The threads are adapted to the mounting blocks GN 412.1 (see page 545).



Assembly example



Standard Elements	Main dimensions								
Description	L	d	d1	d2	f	f1	l	l1 -0.2	s
GN 412.1-35-M8x1	35	M8x1	4.3	M4	25	14	26	11.5	12
GN 412.1-35-M10x1	35	M10x1	4.3	M4	25	14	26	11.5	12
GN 412.1-35-M12x1.5	35	M12x1.5	4.3	M4	25	14	26	11.5	12
GN 412.1-47-M16x1.5	47	M16x1.5	5.3	M5	35	18	34	15.5	14
GN 412.1-47-M20x1.5	47	M20x1.5	5.3	M5	35	18	34	15.5	14

Standard Elements	Main dimensions							
Description	d1	d +0.1	d2 ±0.3	h	h2 -0.3	h1 min.	s	
GN 412.2-M12x1.5-B4.2	M12x1.5	4.2	12.1	15	12	9	13	
GN 412.2-M12x1.5-B5.2	M12x1.5	5.2	12.1	15	12	9	13	
GN 412.2-M12x1.5-B6.2	M12x1.5	6.2	12.1	15	12	9	13	
GN 412.2-M16x1.5-B8.2	M16x1.5	8.2	16.1	17	14	11	17	
GN 412.2-M16x1.5-B10.2	M16x1.5	10.2	16.1	17	14	11	17	
GN 412.2-M16x1.5-B12.2	M16x1.5	12.2	16.1	17	14	11	17	