

VRTP. VRTP+I

ELESA Original design

Two-spoke handwheels



Material

High-resilience polypropylene based (PP) technopolymer. Resistant to solvents, oils, greases and other chemical agents.

Colour

Black, matte finish.

Indicator housing

Glass-fibre reinforced polyamide based (PA) technopolymer, black colour, matte finish.

Assembly

Black-oxide steel boss, H7 reamed hole, fitting to shaft by means of a grub screw with hexagon socket and cup end, according to UNI 5929-85, supplied assembled.

Revolving handle (only VRTP+I handwheels)

Type I.601+x (see page 395) high-resilience polypropylene based (PP) technopolymer, black colour, matte finish.

Special executions on request (For sufficient quantities)

Execution with hand reset: the indicator reading can be reset in any position within the positioning range, so that further readings can be referred to the reset point. To reset the reading turn the indicator housing until the two pointers reach the zero position, by keeping the indicator body still. By so doing the relevant position (phase) between the indicator and the handwheel can be changed by a small effort, but enough to avoid any accidental phase displacement.

Indicator choice (to be ordered separately)

VRTP. and VRTP+I two-spoke handwheels are suitable with analogue and digital-analogue gravity indicators. To choose the indicator see the table below "Possible assembly with indicators". See also Assembly instructions with gravity indicators (see page 465).

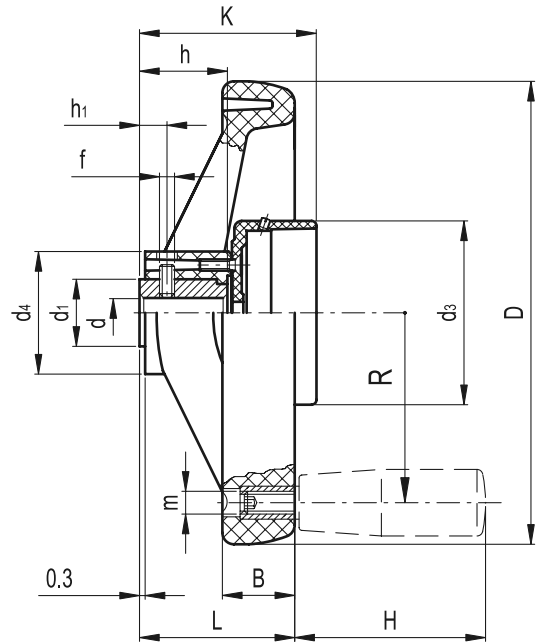
7

478

Rotary controls



Application example with GA12 indicator



Standard Elements		Main dimensions									Mounting hole		Handle			Δ
Code	Description	D	K	L	B	d ₁	d ₃	d ₄	h ₁	f	d H7	h	H	m	R	g
CE.33111	VRTP.160-GXX2 A-14	160	63	51	25	26	76	40	12	M8	14	27	-	-	-	340
CE.33211	VRTP.200-GXX2 A-16	200	70	61	28	30	76	50	12	M8	16	34	-	-	-	540
CE.33311	VRTP.250-GXX2 A-20	250	74	70	32	35	76	58	12	M8	20	38	-	-	-	790
CE.33121	VRTP.160-GXX2 A-14+I	160	63	51	25	26	76	40	12	M8	14	27	80	M8	65	425
CE.33221	VRTP.200-GXX2 A-16+I	200	70	61	28	30	76	50	12	M8	16	34	80	M8	84	625
CE.33321	VRTP.250-GXX2 A-20+I	250	74	70	32	35	76	58	12	M8	20	38	90	M10	105	890

Possible assembly with indicators

Code	Description	Code	Description	GA02	GA12	GW12
CE.33111	VRTP.160-GXX2 A-14	CE.33121	VRTP.160-GXX2 A-14+I	•	•	•
CE.33211	VRTP.200-GXX2 A-16	CE.33221	VRTP.200-GXX2 A-16+I	•	•	•
CE.33311	VRTP.250-GXX2 A-20	CE.33321	VRTP.250-GXX2 A-20+I	•	•	•

Technical data of the indicator on page

466

467

469



ELESA and GANTER models all rights reserved in accordance with the law. Always mention the source when reproducing our drawings.