

VD+I

ELESA Original design

Solid handwheels with revolving handle



Application example with GA05 indicator

- **Material**

High strength, reinforced phenolic based (PF) Duroplast. Resistant to solvents, oils, greases and other chemical agents.

- **Colour**

Black, glossy finish.

- **Indicator housing**

Glass-fibre reinforced polyamide based (PA) technopolymer, black colour, matte finish.

- **Assembly**

Black-oxide steel hub, not drilled. See table for maximum permissible boring diameter d_{max} and depth p_{max} .

- **Revolving handle**

Type I.301+x (see page 395) in Duroplast, black colour, matte finish.

Special executions on request (For sufficient quantities)

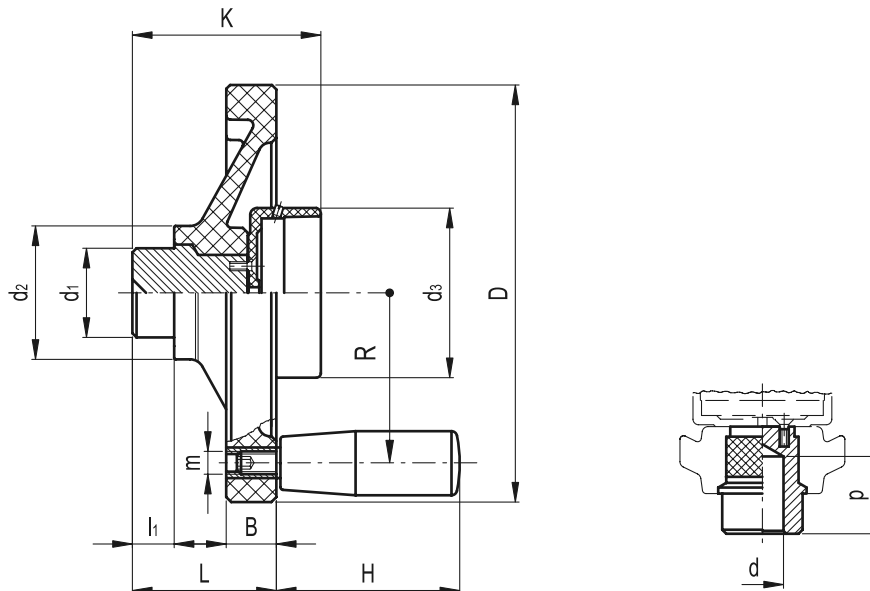
Execution with hand reset: the indicator reading can be reset in any position within the positioning range, so that further readings can be referred to the reset point. To reset the reading turn the indicator housing until the two pointers reach the zero position, by keeping the indicator body still. By so doing the relevant position (phase) between the indicator and the handwheel can be changed by a small effort, but enough to avoid any accidental phase displacement.

Ergonomy

The rim with internal rear scallops makes the grip and the manoeuvre of the handwheel easier even from side positions.

Indicator choice (to be ordered separately)

VD+I solid handwheels are suitable with analogue gravity indicators type GA05 (see page 466). See also Assembly instructions with gravity indicators (see page 465).



Standard Elements		Main dimensions								Mounting hole		Handle			Δ/Δ
Code	Description	D	K	L	B	d ₁	d ₂	d ₃	h ₁	d _{max}	p _{max}	H	m	R	g
CE.31811	VD.225-GXX5+I	225	86	62	23	49	66	122	15	34	25	90	M10	99	1630
CE.31911	VD.250-GXX5+I	250	86	66	25	49	70	122	15	34	25	90	M10	109	1880
CE.32011	VD.300-GXX5+I	300	98	76	25	58	82	122	18	42	35	90	M10	134	3170
CE.32111	VD.350-GXX5+I	350	98	92	38	58	90	122	18	42	35	100	M10	157	4340