

Indicator housings



• Material

Glass-fibre reinforced polyamide based (PA) technopolymer. Resistant to solvents, oils, greases and other chemical agents.

• Colour

Black, matte finish.

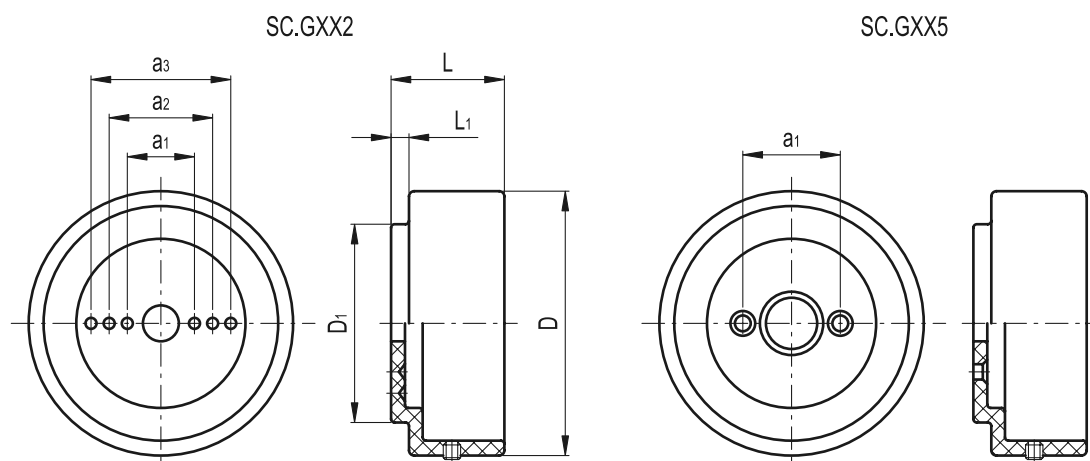
• Assembly

- GXX2: three couples of dimples on the bottom of the housing (to drill according to the type of indicator) and two M4x10 countersunk head screws, included in the supply.

- GXX5: two holes for M4x10 countersunk head screws, included in the supply.

Features and applications

SC. indicator housings are suitable with gravity indicators on handwheels or control devices.



Standard Elements		Main dimensions							
Code	Description	D	L	D1	L1	a1	a2	a3	g
CE.40002	SC.GXX2	76	34	57	1	31.5	39	45	72
CE.40005	SC.GXX5	122	41	70	6	30	-	-	191

Possible assembly with indicators

Code	Description	GA02	GA05	GA12	GW12
CE.40002	SC.GXX2	•	-	•	•
CE.40005	SC.GXX5	-	•	-	-
Technical data of the indicator on page		466	466	467	469