

MBT.50-GA11

MBT.70-GA12

ELESA Original design

Knobs with integral gravity position indicator



- **Diamond cut knurled knob**

Glass-fibre reinforced polyamide based (PA) technopolymer. Moulded-in spindle. Resistant to solvents, oils, greases and other chemical agents.

- **Bezel**

Technopolymer. Moulded over the window.

- **Colour**

Black, matte finish.

- **Window**

Transparent polyamide based (PA-T) technopolymer (practically unbreakable). Ultrasonically welded to the case. Resistant to solvents, oils, greases and other chemical agents (avoid contact with alcohol during cleaning operations).

- **Dial**

Matte anodised aluminium, clockwise or anti-clockwise graduation, black colour.

- **Assembly**

Black-oxide steel boss, H7 reamed blind hole, fitting to shaft by means of a grub screw with hexagon socket and cup end, according to UNI 5929-85, supplied assembled.

- **Reading**

The black pointer indicates the number of turns of the spindle from the start position (0); the red pointer indicates the fractions of turn. The reading accuracy is guaranteed by a special ballrace bearing.

- **Ratio**

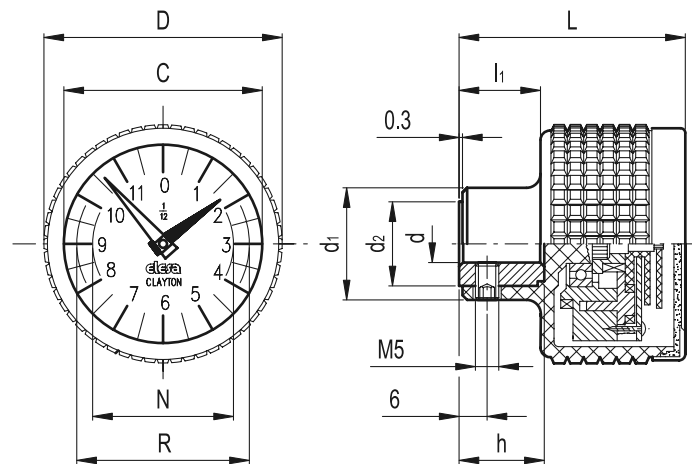
To choose the ratio see Gravity position indicators introduction (see page 464).

- **IP protection**

Completely sealed indicator with IP 67 protection class, according to IEC 529 table (see page 503).

Features and applications

The knobs with integral gravity position indicator are suitable on spindles with horizontal or max 60° inclined axis (see Gravity position indicators introduction on page 464).



7
468
Rotary controls

Standard Elements				Ratio	Main dimensions					Mounting hole		Dial			g
Clockwise		Anti-clockwise			D	L	d1	d2	l1	d H7	h	C	N	R	
Code	Description	Code	Description												
CE.56131	MBT.50/GA11-0010-D	CE.56132	MBT.50/GA11-0010-S	10	51	48	24	18	16.5	8	17	42	30	37	120
CE.56141	MBT.50/GA11-0012-D	CE.56142	MBT.50/GA11-0012-S	12	51	48	24	18	16.5	8	17	42	30	37	120
CE.56161	MBT.50/GA11-0020-D	CE.56162	MBT.50/GA11-0020-S	20	51	48	24	18	16.5	8	17	42	30	37	120
CE.56171	MBT.50/GA11-0024-D	CE.56172	MBT.50/GA11-0024-S	24	51	48	24	18	16.5	8	17	42	30	37	120
CE.56175	MBT.50/GA11-0030-D	CE.56176	MBT.50/GA11-0030-S	30	51	48	24	18	16.5	8	17	42	30	37	120
CE.56181	MBT.50/GA11-0040-D	CE.56182	MBT.50/GA11-0040-S	40	51	48	24	18	16.5	8	17	42	30	37	120
CE.57101	MBT.70/GA12-0006-D	CE.57102	MBT.70/GA12-0006-S	6	70	52	28	22	19	10	22	60	44	51	200
CE.57111	MBT.70/GA12-0010-D	CE.57112	MBT.70/GA12-0010-S	10	70	52	28	22	19	10	22	60	44	51	200
CE.57121	MBT.70/GA12-0012-D	CE.57122	MBT.70/GA12-0012-S	12	70	52	28	22	19	10	22	60	44	51	200
CE.57131	MBT.70/GA12-0020-D	CE.57132	MBT.70/GA12-0020-S	20	70	52	28	22	19	10	22	60	44	51	200
CE.57141	MBT.70/GA12-0024-D	CE.57142	MBT.70/GA12-0024-S	24	70	52	28	22	19	10	22	60	44	51	200
CE.57146	MBT.70/GA12-0030-D	CE.57147	MBT.70/GA12-0030-S	30	70	52	28	22	19	10	22	60	44	51	200
CE.57151	MBT.70/GA12-0036-D	CE.57152	MBT.70/GA12-0036-S	36	70	52	28	22	19	10	22	60	44	51	200

Other ratios available (min. quantity 10 pcs.)		Special executions on request
MBT.50/GA11	2,4,5,6,8,15,16,36,48,50,60,72,100,120	Special dial - Special ratios Liquid filled - Single pointer
MBT.70/GA12	2,4,5,8,15,16,40,48,50,60,72,100,120,150,200	