

# LBR.N

ELESA Original design

## Control levers



- Lever body**  
 Glass-fibre reinforced polyamide based (PA) technopolymer. Resistant to solvents, oils, greases and other chemical agents.
- Colour**  
 Black, glossy finish.
- Assembly**  
 Plain hole with flat face.  
 - LBR.45 N and LBR.54 N: flat face opposite to the arm.  
 - LBR.75 N: flat face in correspondance of the arm.
- Lever arm**  
 Matte chrome-plated steel with cylindrical handle type I.280 (see page 392) in phenolic based (PF) Duroplast, black colour, matte finish.
- Self-adhesive front plate**  
 Matte anodised aluminium to be fitted after the assembly of the lever.

### Accessories on request

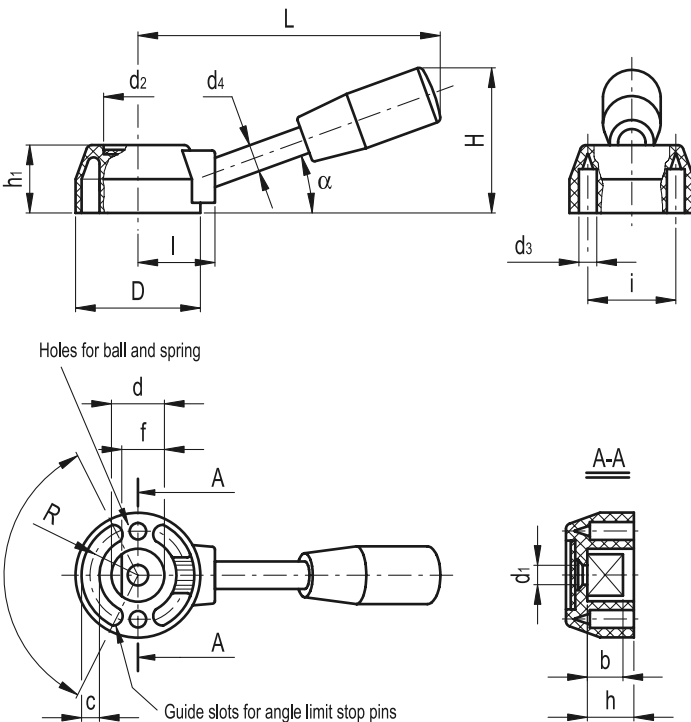
Ball and spring for clicking operation to be fitted into the two holes drilled at 180° (see ball and spring MS. on page 425).

### Special executions on request (For sufficient quantities)

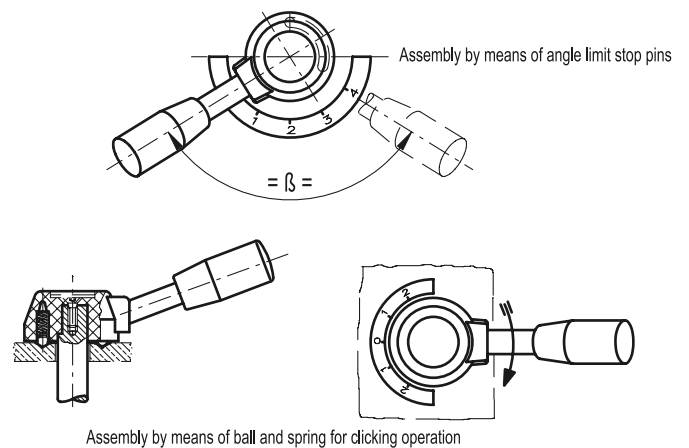
- Different arms lengths.
- Different handles shapes.
- Front plate with words, marks, symbols, graphics, etc...

### Limited manoeuvre angle assembly

A limited manoeuvre angle assembly is possible by setting on the machine frame one or two stop pins matching the rear guide slots of the lever body.



### Assembly examples



Standard Elements		Main dimensions													Mounting hole				$\Delta$	
Code	Description	D	L	H	h <sub>1</sub>	$\alpha$	d <sub>1</sub>	d <sub>2</sub>	d <sub>3</sub>	d <sub>4</sub>	i	l	R	c	$\beta$	d H8	f+0.05	h	b	g
33211	LBR.45/110 N-16	45	108	52	25	20°	6.5	25	6	10	32	28	17.5	7	125±1°	16	13	16	12	80
33311	LBR.54/130 N-22	54	125	66	30	25°	6.5	31	8	12	39	34	20.2	7.3	125±1°	22	19	21	16	130
33411	LBR.75/170 N-25	75	170	80	38	20°	8.5	42	10	14	55	45	26	15	105±1°	25	22	26	21	255