

GN 750



Control levers

• Assembly

Black-oxide steel hub.

- Execution **B**: H7 reamed through hole.

- Execution **K**: H7 reamed through hole and keyway in compliance with DIN 6885/1 P9 tolerance (see page) .

- Execution **V**: H11 tolerance square through hole.

For fixing GN 750 on shafts by a grub screw see Technical Data on page A18.

• Hub cap

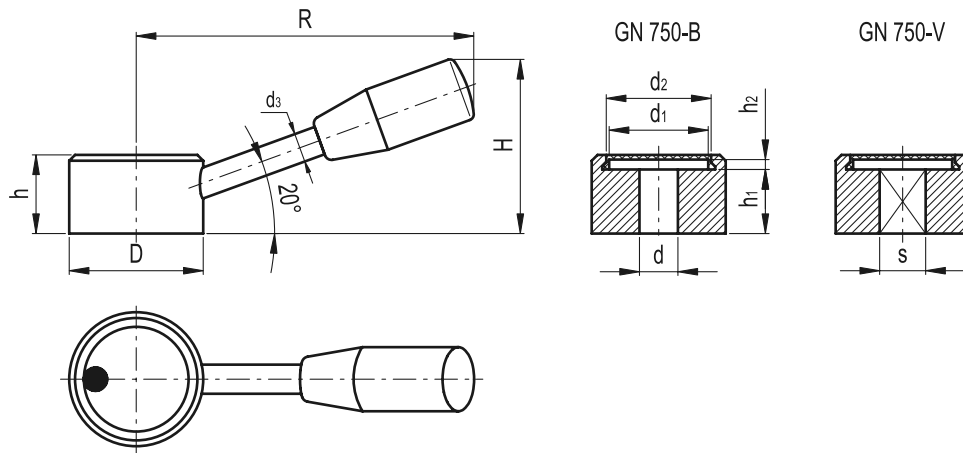
Acetal resin based (POM) technopolymer, light grey colour. Resistant to solvents, oils, greases and other chemical agents.

- Execution **M**: black index.

- Execution **N**: plain.

• Lever arm

Black-oxide steel with cylindrical handle type I.280 (see page 392) in phenolic based (PF) Duroplast, black colour, glossy finish.



Standard Elements	Main dimensions								Mounting hole			Δ
Description	D	R	H	h	h2	d1	d2	d3	d H7	s H11	h1	g
GN 750-32-B10-M	32	84	43	21	4.2	23	25	8	10	-	15	123
GN 750-32-B10-N	32	84	43	21	4.2	23	25	8	10	-	15	123
GN 750-32-K10-M	32	84	43	21	4.2	23	25	8	10	-	15	121
GN 750-32-K10-N	32	84	43	21	4.2	23	25	8	10	-	15	121
GN 750-32-V10-M	32	84	43	21	4.2	23	25	8	-	10	15	116
GN 750-32-V10-N	32	84	43	21	4.2	23	25	8	-	10	15	116
GN 750-40-B10-M	40	106	54	25	4	30	32	9	10	-	19	239
GN 750-40-B10-N	40	106	54	25	4	30	32	9	10	-	19	239
GN 750-40-K10-M	40	106	54	25	4	30	32	9	10	-	19	236
GN 750-40-K10-N	40	106	54	25	4	30	32	9	10	-	19	236
GN 750-40-V10-M	40	106	54	25	4	30	32	9	-	10	19	232
GN 750-40-V10-N	40	106	54	25	4	30	32	9	-	10	19	232
GN 750-40-B12-M	40	106	54	25	4	30	32	9	12	-	19	232
GN 750-40-B12-N	40	106	54	25	4	30	32	9	12	-	19	232
GN 750-40-K12-M	40	106	54	25	4	30	32	9	12	-	19	229
GN 750-40-K12-N	40	106	54	25	4	30	32	9	12	-	19	229
GN 750-40-V12-M	40	106	54	25	4	30	32	9	-	12	19	225
GN 750-40-V12-N	40	106	54	25	4	30	32	9	-	12	19	225
GN 750-50-B14-M	50	130	63	28	3.8	37.5	40	11	14	-	22	412
GN 750-50-B14-N	50	130	63	28	3.8	37.5	40	11	14	-	22	412
GN 750-50-K14-M	50	130	63	28	3.8	37.5	40	11	14	-	22	408
GN 750-50-K14-N	50	130	63	28	3.8	37.5	40	11	14	-	22	408
GN 750-50-V14-M	50	130	63	28	3.8	37.5	40	11	-	14	22	400
GN 750-50-V14-N	50	130	63	28	3.8	37.5	40	11	-	14	22	400
GN 750-50-B16-M	50	130	63	28	3.8	37.5	40	11	16	-	22	406
GN 750-50-B16-N	50	130	63	28	3.8	37.5	40	11	16	-	22	406
GN 750-50-K16-M	50	130	63	28	3.8	37.5	40	11	16	-	22	402
GN 750-50-K16-N	50	130	63	28	3.8	37.5	40	11	16	-	22	402
GN 750-50-V16-M	50	130	63	28	3.8	37.5	40	11	-	16	22	403
GN 750-50-V16-N	50	130	63	28	3.8	37.5	40	11	-	16	22	403