

GN 215

Indexing levers

Control elements

6

444

• Base

Black-oxide steel. Assembly to the machine body by means of two M5 cylindrical head screws with hexagon socket:

- Execution **A**: rim without notch.
- Execution **B**: notched rim with 30 teeth.

• Lever arm

Black-oxide steel with ball handle type DIN 319 (see page 362) in phenolic based (PF) Duroplast, black colour, glossy finish. Resistant to solvents, oils, greases and other chemical agents.

• Cap

Acetal resin based (POM) technopolymer, black colour, matte finish, push-fit assembly, removable by a screwdriver. Self-adhesive plate in anodised aluminium, natural colour, matte finish.

• Assembly

Black-oxide steel bushing, with H7 reamed hole and keyway according to the following instructions (see Technical Data on page A17):

- dimension K10: keyway 3 tolerance P9x1.1 mm
- dimension K14: keyway in compliance with DIN 6885/2 P9 tolerance.



Accessories on request

Disk milling cutters to mill standard notches.

Special executions on request (For sufficient quantities)

Notches (and even the stops for the limitation of the manoeuvre angle) may be machined in the position indicated in customer's drawing.

Features and applications

GN 215 levers can turn and block a spindle in a specific position. To turn the spindle, the arm is lifted, overcoming the resistance of a spring, until extracting the wedge-shaped pin from the notch (one-hand operation). Two stops can be used for the limitation of the manoeuvre angle, as shown in the drawing.

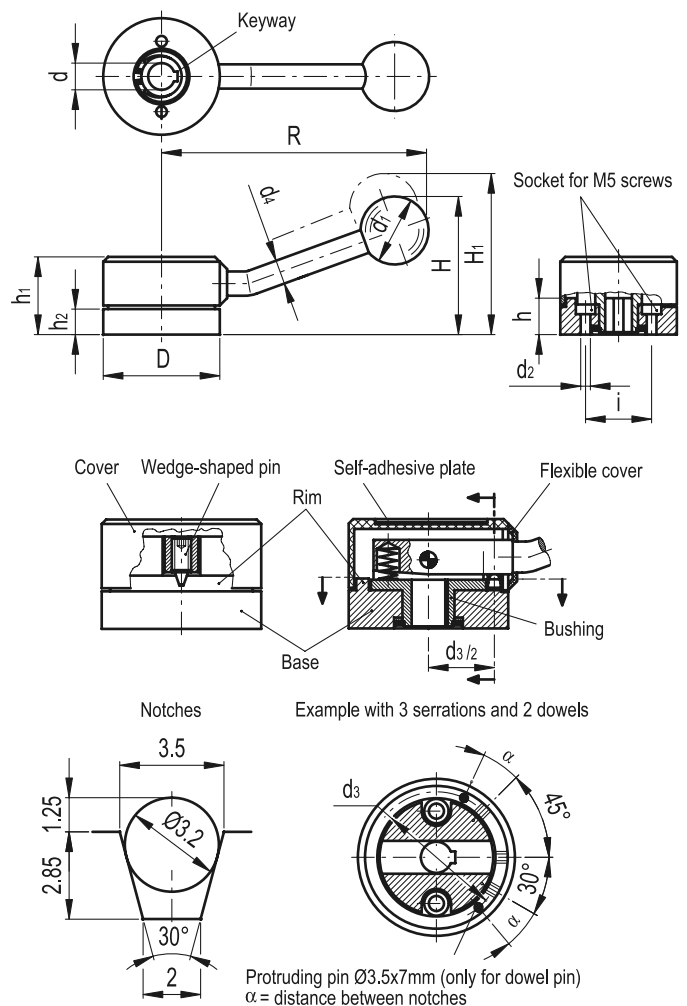
The arm with a wedge-shaped pin is the connection between the base and the spindle (standard execution). The pin is used to perform clearance-free locking, which also makes it easier to perform insertion and disconnection operations. If clearance-free locking is not requested a cylindrical pin may be used (obtained from a M6x14 threaded screw). The notch is then made in a rectangular shape or replaced by a cylindrical hole. In this case the diameter of the hole must not hinder or prevent the pin from entering (rotation radius).

Manoeuvre angles

For standard notches, the smallest tolerable manoeuvre angles are:

- 11° for base Ø D=54 mm
- 9° for base Ø D=60 mm.

Smaller angles may be obtained with a special execution of pin and notches.



Standard Elements	Main dimensions												Mounting hole		g
	D	R	H	H ₁	h ₁	h ₂	d ₁	d ₂	d ₃	d ₄	i	α +0.5°	d H7	h	
GN 215-54-K10-A	54	122	61	79	37	13	32	5.2	44.5	11	30	22°	10	16.5	470
GN 215-54-K10-B	54	122	61	79	37	13	32	5.2	44.5	11	30	22°	10	16.5	461
GN 215-54-K12-A	54	122	61	79	37	13	32	5.2	44.5	11	30	22°	12	16.5	466
GN 215-54-K12-B	54	122	61	79	37	13	32	5.2	44.5	11	30	22°	12	16.5	457
GN 215-60-K14-A	60	125	65	76	39	15	32	5.2	50	11	36	19°	14	18.5	619
GN 215-60-K14-B	60	125	65	76	39	15	32	5.2	50	11	36	19°	14	18.5	608
GN 215-60-K16-A	60	125	65	76	39	15	32	5.2	50	11	36	19°	16	18.5	597
GN 215-60-K16-B	60	125	65	76	39	15	32	5.2	50	11	36	19°	16	18.5	580