

Control levers



Material

Glass-fibre reinforced polyamide based (PA) technopolymer. Resistant to solvents, oils, greases and other chemical agents.

Colour

Grey-black, matte finish.

Assembly

Black-oxide steel boss, H7 reamed hole.

Boss cap

Technopolymer in the Ergostyle colours, matte finish; supplied not assembled, push-fit assembly, removable by a screwdriver. Available also as accessory sold separately (see boss cap table).

Code	Description	Boss cap for
29553-*	ECB.T3-*	ELCR.118

* Complete the code and the description specifying the index of the colour (C1, ..., C6).

Features and applications

Particularly suitable when the lever turning angle is limited owing to lack of space. Control levers ELCR. have a straight lever, parallel to the clamping surface.

Accessories on request

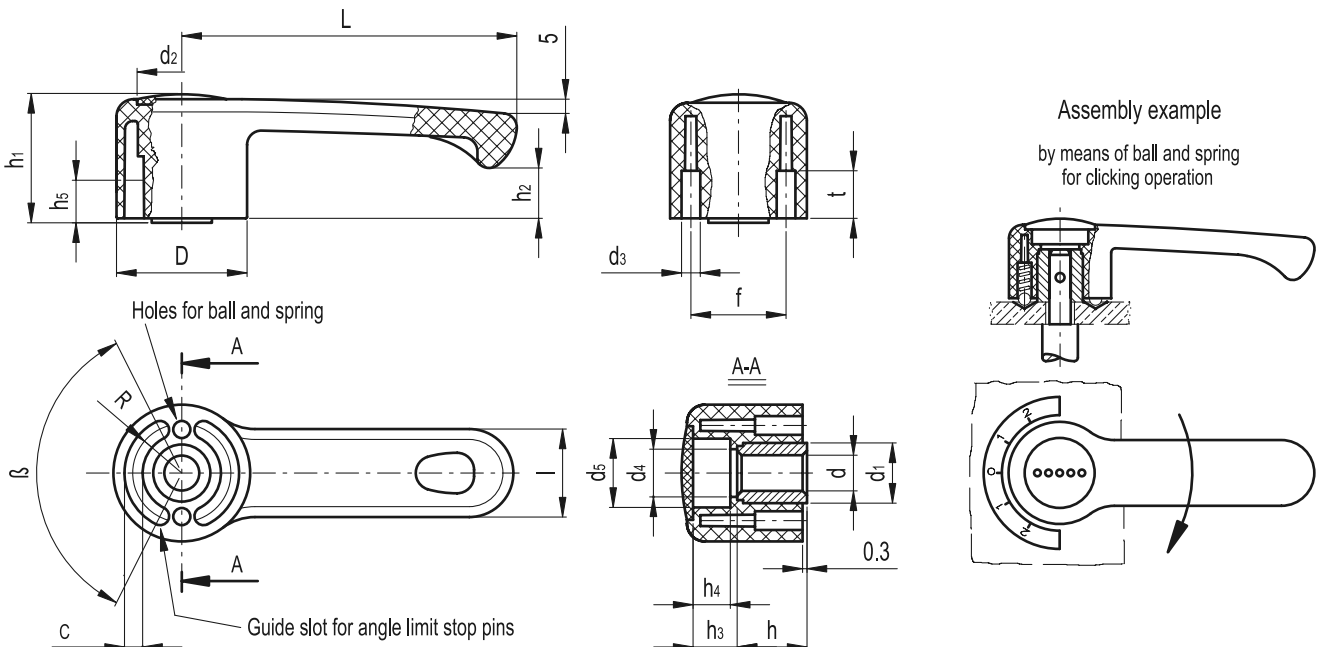
- Axial retaining washer type GN 184 (see page 631).
- Ball and spring for clicking operation to be fitted into the two holes drilled at 180° (see ball and spring MS. on page 425).

Ergonomy

Rotations are performed smoothly and powerfully thanks to the heavy-duty arm of the lever, while the enlarged and sunken semispherical end offers an effective grip.

Limited manoeuvre angle assembly

A limited manoeuvre angle assembly is possible by setting on the machine frame one or two stop pins matching the rear guide slots of the lever body.



C1 RAL 7021 **C2** RAL 2004 **C3** RAL 7035 **C4** RAL 1021 **C5** RAL 5024 **C6** RAL 3000



Standard Elements		Main dimensions																	Bore		△△	
Code	Description	D	L	h ₁	h ₂	h ₃	h ₄	h ₅	d ₁	d ₂	d ₃	d ₄	d ₅	f	l	R	t	c	β	d H7	h	g
212241-*	ELCR.118 A-12-*	46	118	44	18.5	19	17	10	22	31.5	6	17	25.5	32	29	17.5	15.5	6.5	125±1°	12	22	135

* Complete the code and the description of the standard item needed specifying the index of the colour of the boss cap (C1, ..., C6) ex: 212241-C2 ELCR.118 A-6-C2.