

VC.192+IN

ELESA Original design

Lobe knobs with pointer



- **Material**

Phenolic based (PF) Duroplast. Resistant to solvents, oils, greases and other chemical agents.

- **Pointer**

Polyamide based (PA) technopolymer.

- **Colour**

Black, glossy finish.

- **Assembly**

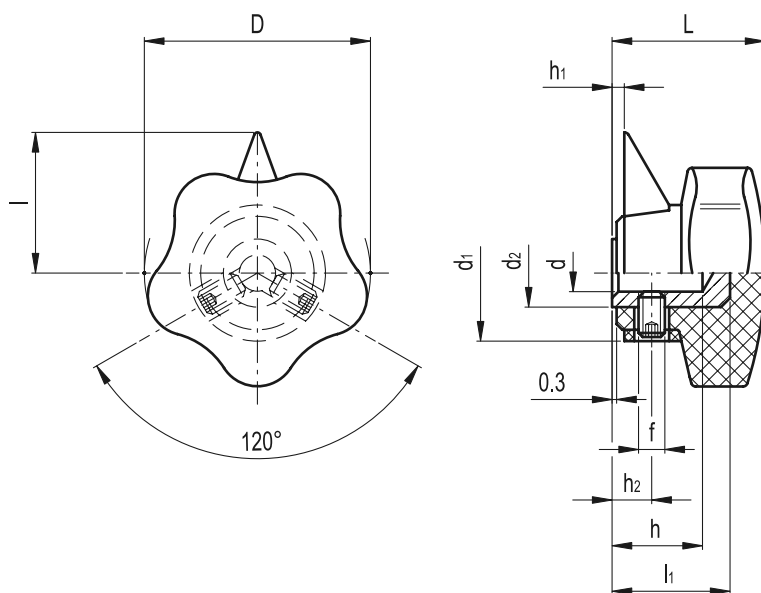
- Execution **A**: black-oxide steel boss, plain blind hole.

- Execution **B**: brass boss, plain blind hole.

Assembly by means of transversal grub screws according to UNI 5929-85 (grub screws with hexagon socket and cup end). Supplied assembled.

Features

The exclusive five-lobe shape (ELESA original design) offers the operator's fingers a proper grip and prevents unhealthy residues from depositing thanks to the glossy finish and to its solid shape without cavities.



Standard Elements		Main dimensions									Mounting hole		Bosses		△△
Code	Description	D	L	d ₁	d ₂	l	l ₁	h ₁	h ₂	f	d H9	h	Steel	Brass	g
66321	VC.192/40 B-6+IN	40	27	25	14	25	17	2	6	M4	6	14		•	37
66431	VC.192/50 A-8+IN	50	33	30	15	31	25	2	7	M5	8	20	•		70
66531	VC.192/60 A-8+IN	60	37	32	15	38	25	2	7	M5	8	20	•		105
66631	VC.192/70 A-10+IN	70	44	35	18	45	31	2	11	M6	10	25	•		150
66711	VC.192/85 A-10+IN	85	55	41	22	50	38	2	14	M6	10	25	•		250