

# VC.192+F

ELESA Original design

## Lobe knobs with flange and pointer



### Material

Phenolic based (PF) Duroplast. Resistant to solvents, oils, greases and other chemical agents.

### Flange with pointer

Polyamide based (PA) technopolymer, white indicator line.

### Colour

Black, glossy finish.

### Assembly

- Execution **A**: black-oxide steel boss, plain blind hole.

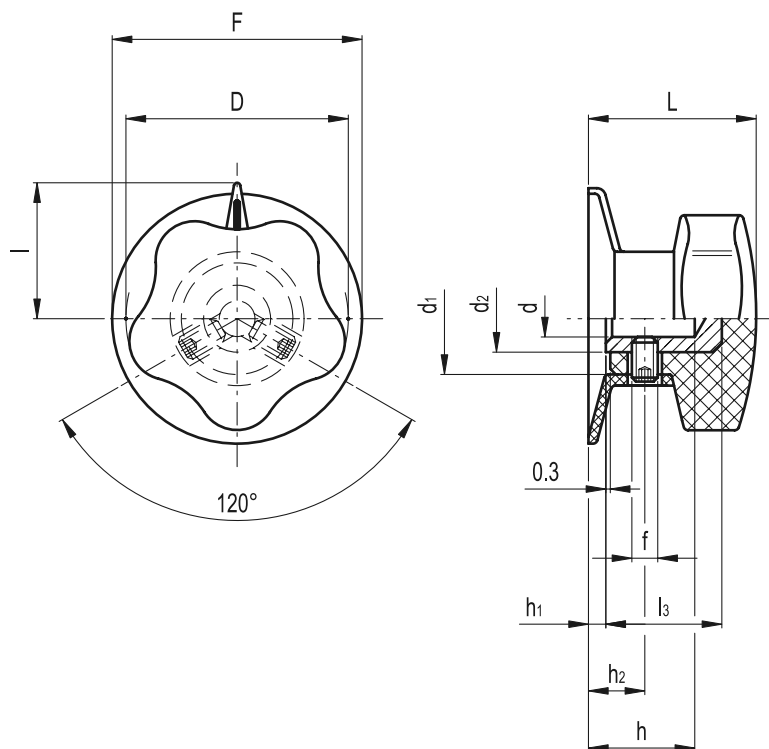
- Execution **B**: brass boss, plain blind hole.

Assembly by means of transversal grub screws according to UNI 5929-85 (grub screws with hexagon socket and cup end). Supplied assembled.



### Features

The exclusive five-lobe shape (ELESA original design) offers the operator's fingers a proper grip and prevents unhealthy residues from depositing thanks to the glossy finish and to its solid shape without cavities.



Standard Elements		Main dimensions									Mounting hole		Bosses		△△	
Code	Description	D	L	d <sub>1</sub>	d <sub>2</sub>	h <sub>1</sub>	h <sub>2</sub>	f	F	l	l <sub>3</sub>	d H9	h	Steel	Brass	g
66211	VC.192/30 B-6+F	32	27	19	14	3	9	M4	36	19	19	6	22		•	30
66311	VC.192/40 B-6+F	40	30	21	14	3	9	M4	45	24	19	6	22		•	46
66421	VC.192/50 A-8+F	50	36	25	15	3	10	M5	56	30	25	8	23	•		70
66521	VC.192/60 A-8+F	60	42	27	15	5	12	M5	70	37	25	8	25	•		105
66621	VC.192/70 A-10+F	70	48	30	18	5	16	M6	80	42	31	10	30	•		152



**elesa-ganter**

ELESA and GANTER models all rights reserved in accordance with the law. Always mention the source when reproducing our drawings.

6

426

Control elements