

Plain flanges

- Material**

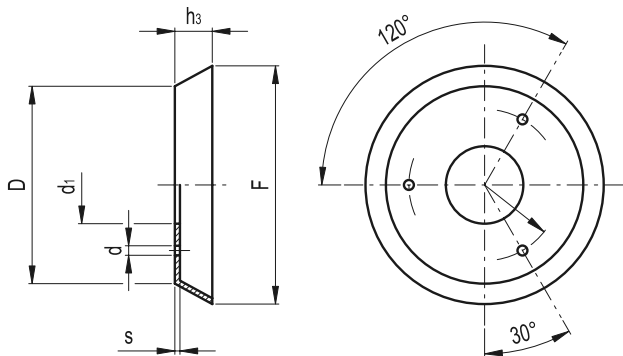
Matte anodised aluminium.

- Assembly**

Three self-tapping rivets, supplied, for fitting to knobs type IZN.380 (see page 422).

Special executions on request (For sufficient quantities)

On the surface of the flanges precision graduations (see Graduations on page 414), numbers, graphic symbols, etc... can be laser-engraved.



Standard Elements		Main dimensions							⚖
Code	Description	D	F	h3	s	d	d1	r	g
29002	F.32 N	32	38	6	0.8	2.1	15	9.5	3
30002	F.36 N	37	45	7	1	2.1	15	12	5
30102	F.40 N	42	50	7	1	3	18	14	7
30202	F.45 N	48	55	7	1	2.7	22	15.8	8
30302	F.50 N	52	63	9	1	2.7	22	18.1	10
30402	F.56 N	58	70	11	1	2.7	26	20.6	12
30452	F.63 N	63	78	13	1	2.7	26	22.7	16

Ball and spring

- Ball**

AISI 420 stainless steel.

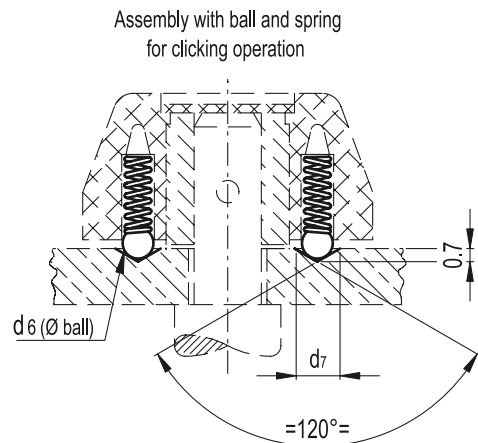
- Spring**

B class steel.

Features and applications

MS. group is indicated for fitting on the following control elements where clicking operation is required:

- IZN.380 (see page 422)
- IZN.380+K (see page 423)
- IZN.380+FGS (see page 424)
- EGK.SOFT (see page 430)
- LBR. (see page 442)
- LBR.N (see page 443)
- ELC. (see page 440)
- ELCR. (see page 441)



Standard Elements		Main dimensions	
Code	Description	d6	d7 -0.3
35001	MS.D3	3	2
35051	MS.D4	4	3.0
35101	MS.D5	5	4.0
35201	MS.D6	6	5.5
35301	MS.D8	8	7.0
35401	MS.D10	10	8.5