

MI.204

Indicator knobs



- **Material**

Phenolic based (PF) Duroplast. Resistant to solvents, oils, greases and other chemical agents.

- **Colour**

Black, glossy finish.

- **Index**

White line.

- **Assembly**

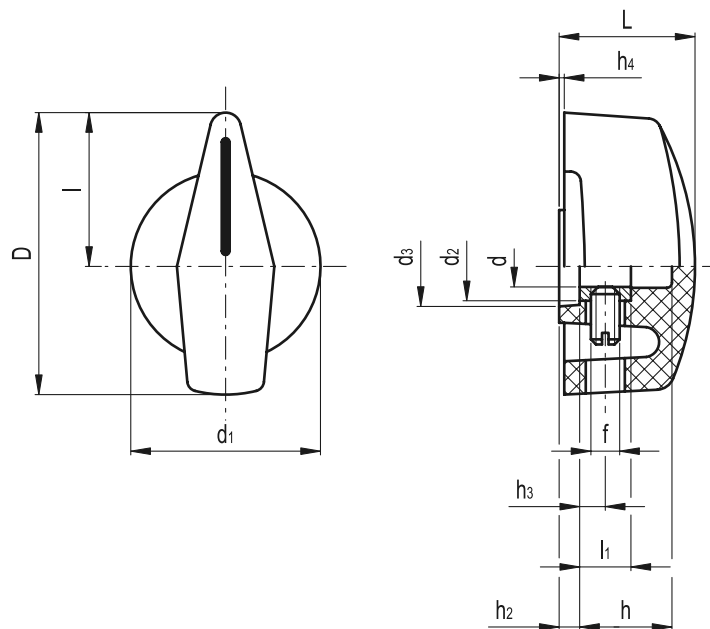
Brass boss, plain blind hole. Assembly by means of a transversal grub screw according to UNI - ISO 7436 (grub screw with screwdriver slotted head and cup end). Supplied assembled.



6

428

Control elements



Standard Elements		Main dimensions											Mounting hole		\triangle/\triangle
Code	Description	D	L	d ₁	d ₂	d ₃	f	h ₂	h ₃	h ₄	l	l ₁	d D9	h	g
40201	MI.204/45 B-6	45	25	35	10	15	M4	7	5	0.5	24	10	6	15	19
40202	MI.204/45 B-8	45	25	35	12	12	M4	3	5	0.5	24	10	8	18	19
40301	MI.204/55 B-6	55	26	37	12	12	M4	3	5	0.5	30	10	6	18	28
40302	MI.204/55 B-8	55	26	37	15	15	M4	3	5	0.5	30	10	8	18	30



ELESA+GANTER

ELESA and GANTER models all rights reserved in accordance with the law. Always mention the source when reproducing our drawings.