

IZP+K

ELESA Original design

Knurled control knobs with index



• Material

Glass-fibre reinforced polyamide based (PA) technopolymer. Resistant to solvents, oils, greases and other chemical agents.

• Colour

Black, matte finish.

• Self-adhesive front plate

Anodised aluminium.

• Triangular index

Laser-engraved (white perimeter).

• Assembly

Plain blind hole. Assembly by means of a transversal grub screw according to UNI 5929-85 (grub screw with hexagon socket and cup end). Supplied assembled.

Special executions on request (For sufficient quantities)

The front plate can be personalised with words, marks, graphic symbols, etc....

Applications

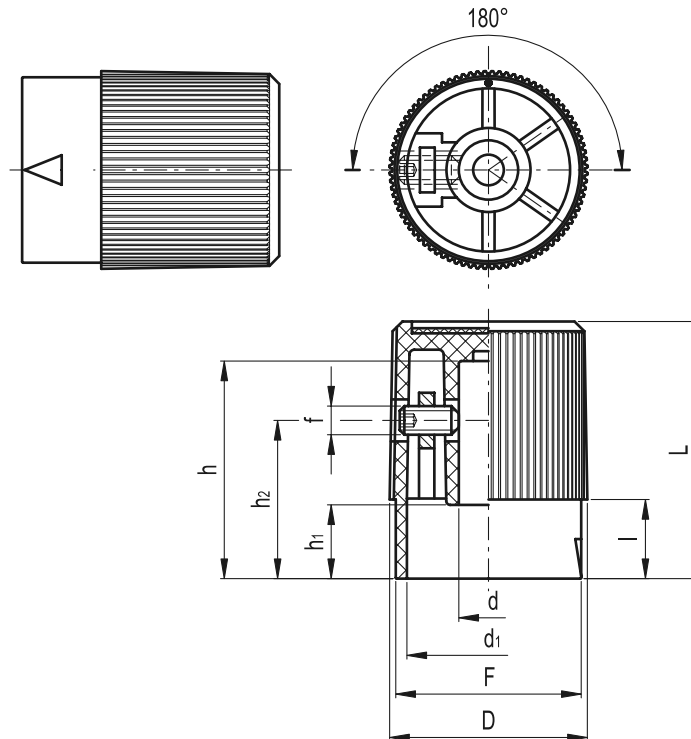
This knob has been designed to carry out micro adjustments for example on flow regulators (hydraulic, pneumatic equipment, etc...).



6

420

Control elements



Standard Elements		Main dimensions								Mounting hole		
Code	Description	D	L	F	l	d ₁	h ₁	h ₂	f	d H8	h	g
31031	IZP.25 N-6+K	27	30	25	12	22	12	18	M4	6	24	10
31131	IZP.30 N-8+K	32	38	30	13	25	13	23	M4	8	30	20
31231	IZP.35 N-10+K	35	45	33	15	28	15	27	M5	10	37	25
31331	IZP.40 N-12+K	40	52	38	16	33	16	32	M5	12	44	33



eleSA-GANTER

ELESA and GANTER models all rights reserved in accordance with the law. Always mention the source when reproducing our drawings.