

# IZP.

ELESA Original design

## Knurled control knobs



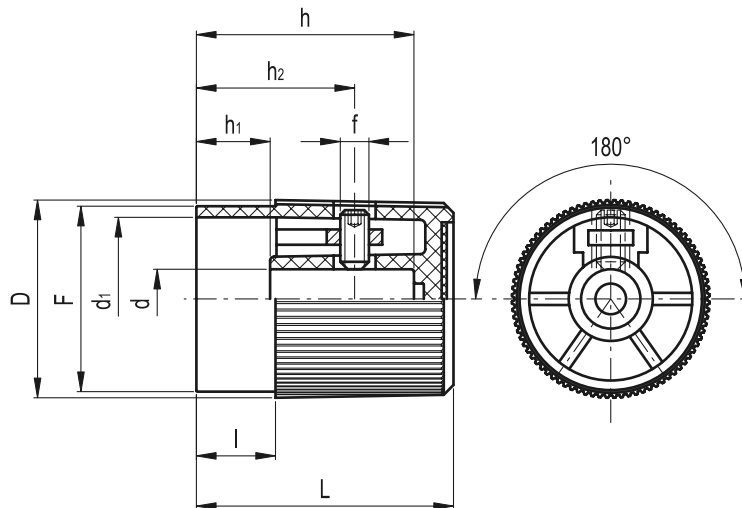
- **Material**  
Glass-fibre reinforced polyamide based (PA) technopolymer. Resistant to solvents, oils, greases and other chemical agents.
- **Colour**  
Black, matte finish.
- **Self-adhesive front plate**  
Anodised aluminium.
- **Assembly**  
Plain blind hole. Assembly by means of a transversal grub screw according to UNI 5929-85 (grub screw with hexagon socket and cup end). Supplied assembled.

### Special executions on request (For sufficient quantities)

- On the plain surface of the knob high precision graduations (see Graduations on page 414) can be laser-engraved.
- The front plate can be personalised with words, marks, graphic symbols, etc....

### Applications

This knob has been designed to carry out micro adjustments for example on flow regulators (hydraulic, pneumatic equipment, etc...).



Standard Elements		Main dimensions								Mounting hole		$\triangle$
Code	Description	D	L	F	l	d <sub>1</sub>	h <sub>1</sub>	h <sub>2</sub>	f	d H8	h	g
31011	IZP.25 N-6	27	30	25	12	22	12	18	M4	6	24	10
31111	IZP.30 N-8	32	38	30	13	25	13	23	M4	8	30	20
31211	IZP.35 N-10	35	45	33	15	28	15	27	M5	10	37	25
31311	IZP.40 N-12	40	52	38	16	33	16	32	M5	12	44	33