

IZN.380+K

ELESA Original design

Knurled control knobs with flange and index



• Material

Glass-fibre reinforced polyamide based (PA) technopolymer. Resistant to solvents, oils, greases and other chemical agents.

• Colour

Black, glossy finish.

• Boss cap

Acetal resin based (POM) technopolymer, light grey colour, push-fit assembly, removable by pressing on the outer edge (ELESA original design).

• Flange

Matte anodised aluminium, black index.

• Assembly

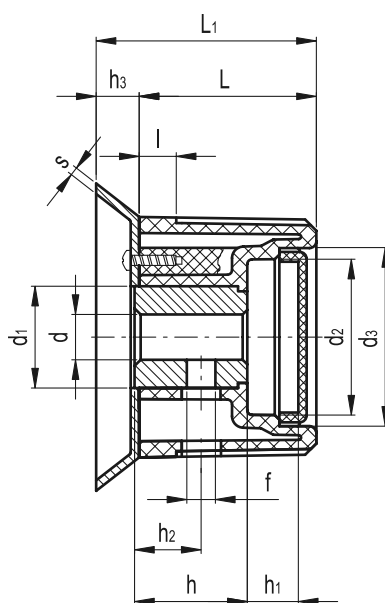
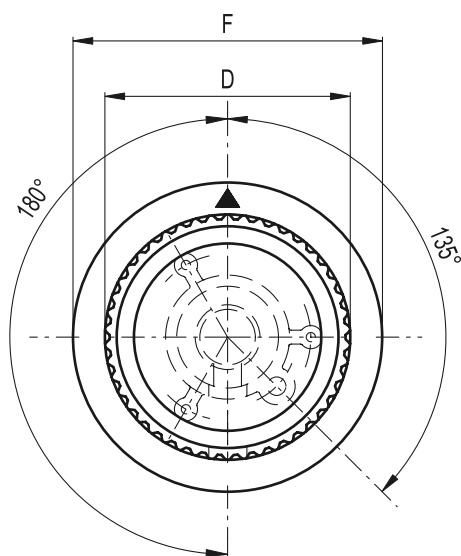
Black-oxide steel boss, H7 reamed hole. Assembly by means of a set screw (redrill and tap hole f), with keyway or transversal pin in the semi-machined hole (f).

Accessories on request

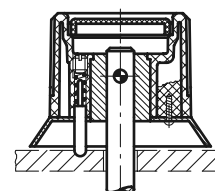
Ball and spring for clicking operation to be fitted in the assembly hole for knobs with diameter $D \geq 48$ mm (see ball and spring MS. on page 425).

Special executions on request (For sufficient quantities)

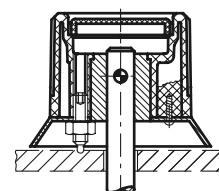
On the surface of the boss cap words, marks, graphic symbols, etc... can be tamprinted in colours.



Assembly examples



Assembly by means of a transversal pin and spring plunger with adjustable pressure spring



Assembly by means of a transversal pin and plunger with locknut

Standard Elements		Main dimensions													Mounting hole		\triangle
Code	Description	D	F	L	L ₁	l	d ₁	d ₂	d ₃	h ₁	h ₂	h ₃	f	s	d H7	h	g
29021	IZN.380/32 A-6+K	32	38	26	32	5	15	19	21	8	9	6	3	0.8	6	16	32
30021	IZN.380/36 A-6+K	37	45	29	36	6	15	25	27	10	10	7	3	1	6	16	40
30121	IZN.380/40 A-8+K	42	50	32	39	7	18	29	31	11	11	7	4	1	8	17	54
30221	IZN.380/45 A-8+K	48	55	35	43	8	22	32	34	10	14	8	4	1	8	22	93
30321	IZN.380/50 A-10+K	52	63	39	48	9	22	37	39	13	14	9	4	1	10	22	100
30421	IZN.380/56 A-12+K	58	70	41	52	10	26	42	44	11	16	9	5	1	12	27	140
30461	IZN.380/63 A-10+K	63	78	44	57	11	26	48	50	10	16	13	5	1	10	30	172
30476	IZN.380/63 A-12+K	63	78	44	57	11	26	48	50	10	16	13	5	1	12	30	167
30521	IZN.380/63 A-14+K	63	78	44	57	11	26	48	50	10	16	13	5	1	14	30	162