

IZN.380

ELESA Original design

Knurled control knobs



• Material

Glass-fibre polyamide based (PA) technopolymer. Resistant to solvents, oils, greases and other chemical agents.

• Colour

Black, glossy finish.

• Boss cap

Acetal resin based (POM) technopolymer, light grey colour, push-fit assembly, removable by pressing on the outer edge (ELESA original design).

• Assembly

Black-oxide steel boss, H7 reamed hole. Assembly by means of a set screw (redrill and tap hole f), with keyway or transversal pin in the semi-machined hole (f).



6

422

Control elements

Accessories on request

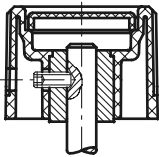
Ball and spring for clicking operation to be fitted in the assembly hole for knobs with diameter $D \geq 48$ mm (see ball and spring MS. on page 425).

Special executions on request (For sufficient quantities)

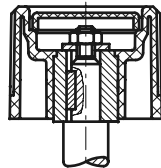
On the surface of the boss cap words, marks, graphic symbols, etc... can be tampprinted in colours.



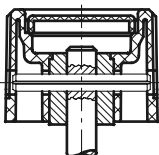
Assembly examples



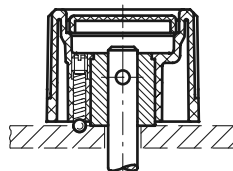
Assembly by means of a set screw



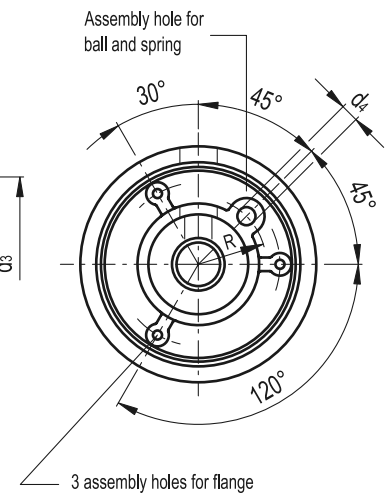
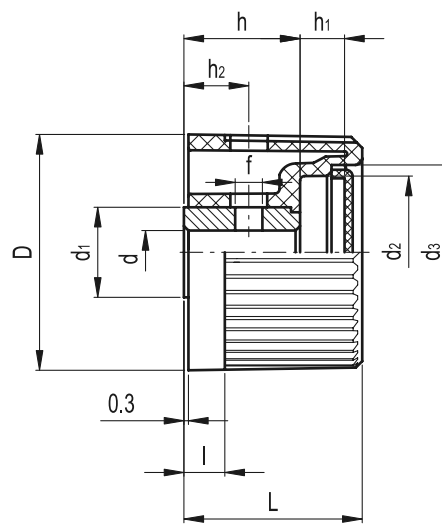
Assembly by means of a keyway



Assembly by means of a transversal pin



Assembly by means of a transversal pin and ball with adjustable pressure spring



Standard Elements		Main dimensions											Mounting hole		\triangle
Code	Description	D	L	l	d1	d2	d3	d4	h1	h2	f	R	d H7	h	g
29001	IZN.380/32 A-6	32	26	5	15	19	21	-	8	9	3	-	6	16	28
30001	IZN.380/36 A-6	37	29	6	15	25	27	-	10	10	3	-	6	16	34
30101	IZN.380/40 A-8	42	32	7	18	29	31	-	11	11	4	-	8	17	48
30201	IZN.380/45 A-8	48	35	8	22	32	34	3.2	10	14	4	14	8	22	86
30301	IZN.380/50 A-10	52	39	9	22	37	39	4.2	13	14	4	15	10	22	90
30331	IZN.380/50 A-12	52	39	9	22	37	39	4.2	13	14	4	15	12	22	85
30401	IZN.380/56 A-12	58	41	10	26	42	44	5.2	11	16	5	17	12	27	130
30451	IZN.380/63 A-10	63	44	11	26	48	50	6.2	10	16	5	19	10	30	155
30466	IZN.380/63 A-12	63	44	11	26	48	50	6.2	10	16	5	19	12	30	150
30501	IZN.380/63 A-14	63	44	11	26	48	50	6.2	10	16	5	19	14	30	145
30601	IZN.380/80 A-16	80	48	12	26	59	62	6.2	13	17	5	24	16	30	175



eleSA-GANTER

ELESA and GANTER models all rights reserved in accordance with the law. Always mention the source when reproducing our drawings.