

# IZN.380+FGS

ELESA Original design

## Knurled control knobs with graduated flange



### Material

Glass-fibre reinforced polyamide based (PA) technopolymer. Resistant to solvents, oils, greases and other chemical agents.

### Colour

Black, glossy finish.

### Boss cap

Acetal resin based (POM) technopolymer, light grey colour, push-fit assembly, removable by pressing on the outer edge (ELESA original design).

### Flange

Matte anodised aluminium, black marks and numbers.

FGS 10/40 = left-hand graduation (numbering increases as the knob is turned clockwise), scale from 0 to 9 (40 dividing marks).

FGS 10/100 = left-hand graduation (numbering increases as the knob is turned clockwise), scale from 0 to 9 (100 dividing marks).

Graduation is laser-engraved: high-precision and perfect readability.

For other numbering see Graduations on page 414.

### Assembly

Black-oxide steel boss, H7 reamed hole. Assembly by means of a set screw (redrill and tap hole f), with keyway or transversal pin in the semi-machined hole (f).



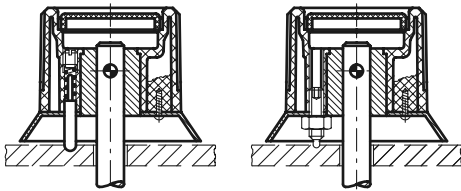
### Accessories on request

Ball and spring for clicking operation to be fitted in the assembly hole for knobs with diameter  $D \geq 48$  mm (see ball and spring MS. on page 425).

### Special executions on request (For sufficient quantities)

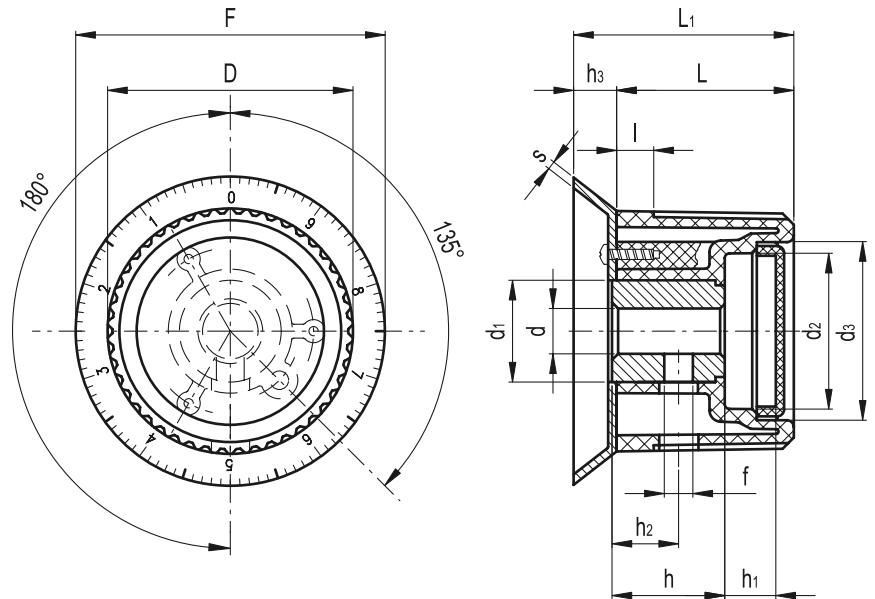
On the surface of the boss cap words, marks, graphic symbols, etc... can be tampprinted in colours.

Assembly examples



Assembly by means of a transversal pin and spring plunger with adjustable pressure spring

Assembly by means of a transversal pin and plunger with locknut



Standard Elements		Main dimensions													Mounting hole		$\triangle$
Code	Description	D	F	L	L1	I	d1	d2	d3	h1	h2	h3	f	s	d H7	h	g
29016	IZN.380/32 A-6+FGS-10/40	32	38	26	32	5	15	19	21	8	9	6	3	0.8	6	16	32
30016	IZN.380/36 A-6+FGS-10/40	37	45	29	36	6	15	25	27	10	10	7	3	1	6	16	40
30116	IZN.380/40 A-8+FGS-10/40	42	50	32	39	7	18	29	31	11	11	7	4	1	8	17	54
30216	IZN.380/45 A-8+FGS-10/100	48	55	35	43	8	22	32	34	10	14	8	4	1	8	22	93
30316	IZN.380/50 A-10+FGS-10/100	52	63	39	48	9	22	37	39	13	14	9	4	1	10	22	100
30416	IZN.380/56 A-12+FGS-10/100	58	70	41	52	10	26	42	44	11	16	11	5	1	12	27	140
30458	IZN.380/63 A-10+FGS-10/100	63	78	44	57	11	26	48	50	10	16	13	5	1	10	30	172
30473	IZN.380/63 A-12+FGS-10/100	63	78	44	57	11	26	48	50	10	16	13	5	1	12	30	167
30516	IZN.380/63 A-14+FGS-10/100	63	78	44	57	11	26	48	50	10	16	13	5	1	14	30	162