

# GN 736

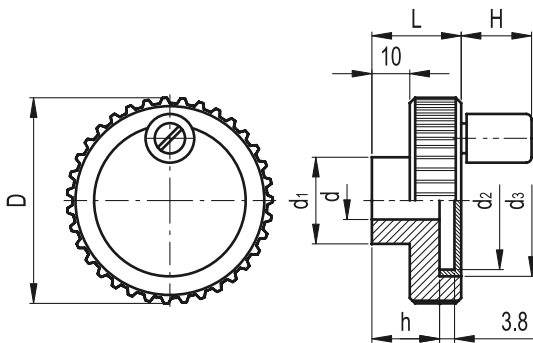
## Control handwheels

- **Material**  
Knurled aluminium profile, anodised.
- **Colour**  
Black.
- **Cap**  
Acetal resin based (POM) technopolymer, light grey colour. Resistant to solvents, oils, greases and other chemical agents.
- **Assembly**
  - Execution **B**: H8 reamed hole.
  - Execution **K**: H8 reamed hole and keyway in compliance with DIN 6885/1 P9 tolerance (see page A17).

For fixing GN 736 on shafts by a grub screw see Technical Data on page A18.
- **Handle**
  - Execution **A**: without handle.
  - Execution **D**: with revolving handle in polyamide based (PA) technopolymer, black colour, glossy finish.

### Special executions on request (For sufficient quantities)

On the surface of the cap words, marks, graphic symbols, etc... can be tampprinted in colours.



Standard Elements	Main dimensions					Mounting hole		Handle		⚖
Description	D	L	d1	d2	d3	d H8	h	Ø	H	g
GN 736-52-B10-A	52	23	22	37	39.5	10	17	-	-	56
GN 736-52-B10-D	52	23	22	37	39.5	10	17	13	18	69
GN 736-52-K10-A	52	23	22	37	39.5	10	17	-	-	55
GN 736-52-K10-D	52	23	22	37	39.5	10	17	13	18	68
GN 736-62-B10-A	62	23	25	47	49.5	10	17	-	-	76
GN 736-62-B10-D	62	23	25	47	49.5	10	17	14	20	90
GN 736-62-K10-A	62	23	25	47	49.5	10	17	-	-	75
GN 736-62-K10-D	62	23	25	47	49.5	10	17	14	20	89

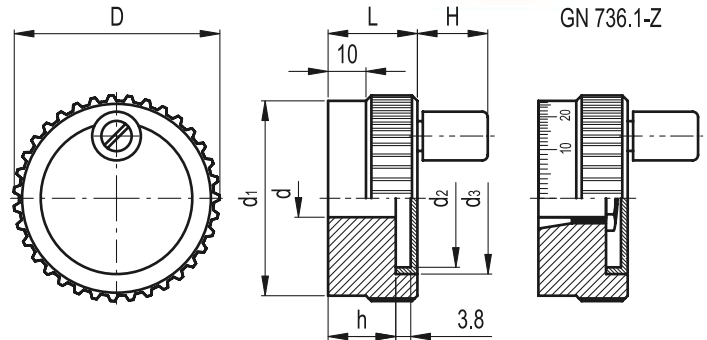
# GN 736.1

## Control handwheels

- **Material**  
Knurled aluminium profile, anodised.
- **Colour**  
Black.
- **Cap**  
Acetal resin based (POM) technopolymer, light grey colour. Resistant to solvents, oils, greases and other chemical agents.
- **Assembly**
  - Execution **B**: H8 reamed hole.
  - Execution **K**: H8 reamed hole and keyway in compliance with DIN 6885/1 P9 tolerance (see page A17).
  - Execution **Z**: with collet and graduated ring (scale 0...90, 100 graduations).
- **Handle**
  - Execution **A**: without handle.
  - Execution **D**: with revolving handle in polyamide based (PA) technopolymer, black colour, glossy finish.

### Special executions on request (For sufficient quantities)

- On the surface of the cap words, marks, graphic symbols, etc... can be tampprinted in colours.
- On the plain surface of the handwheel precision graduations (see Graduations on page 414) can be laser-engraved.



Standard Elements	Main dimensions					Mounting hole		Handle		⚖
Description	D	L	d1	d2	d3	d H8	h	Ø	H	g
GN 736.1-52-B10-A	52	23	50	37	39.5	10	17	-	-	100
GN 736.1-52-B10-D	52	23	50	37	39.5	10	17	13	18	113
GN 736.1-52-K10-A	52	23	50	37	39.5	10	17	-	-	99
GN 736.1-52-K10-D	52	23	50	37	39.5	10	17	13	18	112
GN 736.1-62-B10-A	62	23	60	47	49.5	10	17	-	-	142
GN 736.1-62-B10-D	62	23	60	47	49.5	10	17	14	20	156
GN 736.1-62-K10-A	62	23	60	47	49.5	10	17	-	-	141
GN 736.1-62-K10-D	62	23	60	47	49.5	10	17	14	20	155
GN 736.1-52-Z10-A	52	23	50	37	39.5	10	17	-	-	111
GN 736.1-52-Z10-A-S	52	23	50	37	39.5	10	17	-	-	110
GN 736.1-52-Z10-D	52	23	50	37	39.5	10	17	13	18	120
GN 736.1-52-Z10-D-S	52	23	50	37	39.5	10	17	13	18	121
GN 736.1-62-Z10-A	62	23	60	47	49.5	10	17	-	-	154
GN 736.1-62-Z10-A-S	62	23	60	47	49.5	10	17	-	-	154
GN 736.1-62-Z10-D	62	23	60	47	49.5	10	17	14	20	165
GN 736.1-62-Z10-D-S	62	23	60	47	49.5	10	17	14	20	167