

# GN 729

## Control knobs



- **Material**  
Anodised aluminium.
- **Colour**  
Black.
- **Index**  
White laser-engraved line.
- **Assembly**  
H8 reamed hole. Assembly by means of a stainless steel transversal grub screw with hexagon socket. Supplied assembled.

### Accessories on request

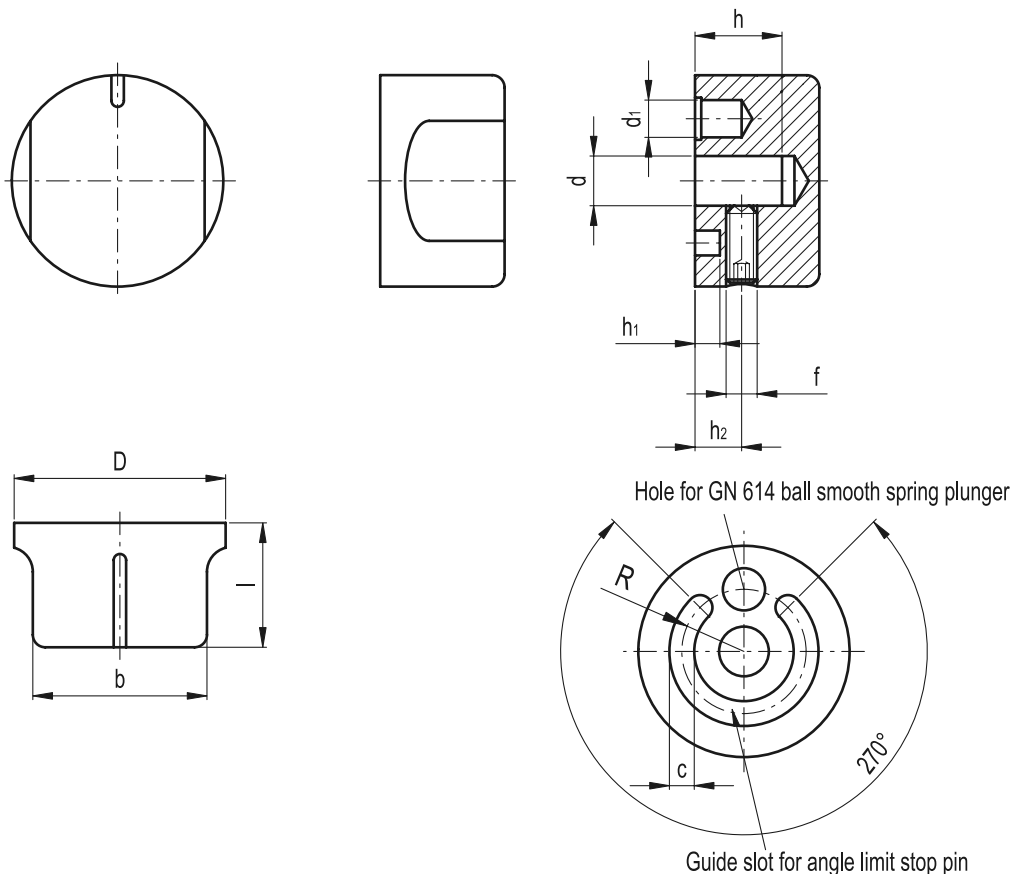
For clicking operation, we suggest to use smooth ball spring plungers type GN 614 (see page 558) into d1 bore.

### Features and applications

The two special flat faces of GN 729 control knobs allow a safe and comfortable grip. For this reason the knobs are usually used for applications which require a rotation within a 180° angle.

### Limited manoeuvre angle assembly

A limited manoeuvre angle assembly is possible by setting on the machine frame one or two stop pins matching the rear guide slot of the lever body.



Standard Elements	Main dimensions									Mounting hole		△△
	D	l	b	d1	h1 +0.2	h2	f	R	<sup>+0.3</sup> <sub>c +0.1</sub>	d H8	h	
GN 729-34-B6	34	20	28	6	4	7.5	M5	10	4	6	14	45
GN 729-34-B8	34	20	28	6	4	7.5	M5	10	4	8	14	41
GN 729-42-B8	42	22	35	6	4	7.5	M5	15	4	8	16	72
GN 729-42-B10	42	22	35	6	4	7.5	M5	15	4	10	16	70