

# GN 726

## Knurled control knobs

- **Material**

Knurled aluminium profile, anodised.

- **Colour**

Black.

- **Cap**

Acetal resin based (POM) technopolymer, light grey colour. Resistant to solvents, oils, greases and other chemical agents.

- Execution **M**: black index.

- Execution **N**: plain.

- **Assembly**

- Execution **B**: H8 reamed hole. Assembly by means of a stainless steel transversal grub screw with hexagon socket, supplied assembled. DIN 916 stainless steel pressure socket head screw for fitting to shaft (identification with No.1 grub screw).

- Execution **Z**: with collet (identification with No.2).

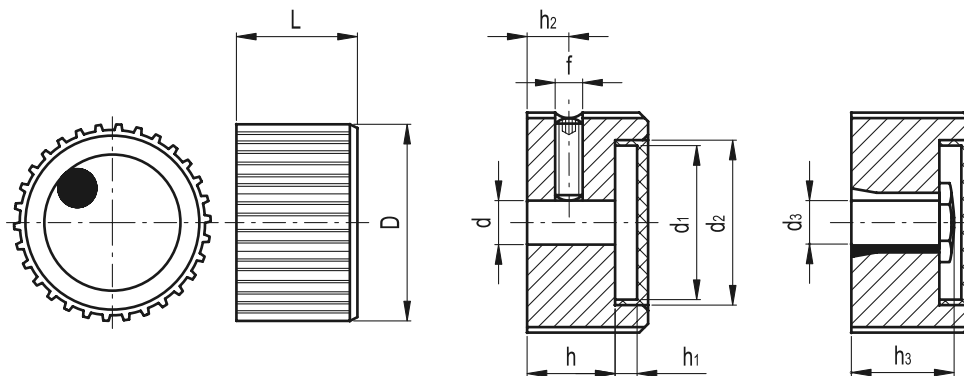
**Special executions on request** (For sufficient quantities)

On the surface of the cap words, marks, graphic symbols, etc... can be tampprinted in colours.



GN 726-B

GN 726-Z



Standard Elements	Main dimensions							Mounting hole				△/△
Description	D	L	d1	d2	h1	h2	f	d H8	h	d3	h3	g
GN 726-22-B5-M-1	22	15	14	16	4.3	5	M4	5	9	-	-	11
GN 726-22-B5-N-1	22	15	14	16	4.3	5	M4	5	9	-	-	11
GN 726-27-B6-M-1	27	17	18	20	4.3	5.5	M4	6	11	-	-	21
GN 726-27-B6-N-1	27	17	18	20	4.3	5.5	M4	6	11	-	-	21
GN 726-27-Z6-M-2	27	17	18	20	4.3	-	-	-	-	6	14	23
GN 726-27-Z6-N-2	27	17	18	20	4.3	-	-	-	-	6	14	23
GN 726-34-B6-M-1	34	20	23	25	4.2	7	M5	6	14	-	-	39
GN 726-34-B6-N-1	34	20	23	25	4.2	7	M5	6	14	-	-	39
GN 726-34-B8-M-1	34	20	23	25	4.2	7	M5	8	14	-	-	38
GN 726-34-B8-N-1	34	20	23	25	4.2	7	M5	8	14	-	-	38
GN 726-34-Z8-M-2	34	20	23	25	4.2	-	-	-	-	8	17	42
GN 726-34-Z8-N-2	34	20	23	25	4.2	-	-	-	-	8	17	42
GN 726-42-B8-M-1	42	23	30	32	4	8.5	M5	8	17	-	-	69
GN 726-42-B8-N-1	42	23	30	32	4	8.5	M5	8	17	-	-	69
GN 726-42-B10-M-1	42	23	30	32	4	8.5	M5	10	17	-	-	67
GN 726-42-B10-N-1	42	23	30	32	4	8.5	M5	10	17	-	-	67
GN 726-42-Z10-M-2	42	23	30	32	4	-	-	-	-	10	20	73
GN 726-42-Z10-N-2	42	23	30	32	4	-	-	-	-	10	20	73