

Fold-away handles



- **Handle**
Polyamide-based (PA) technopolymer.
- **Colour**
Black, matte finish.
- **Stud**
AISI 303 stainless steel.
- **Flat base**
AISI 303 stainless steel.

Applications

GN 798.5 fold-away handles are suitable when the handle must be withdrawn during automatic operations.

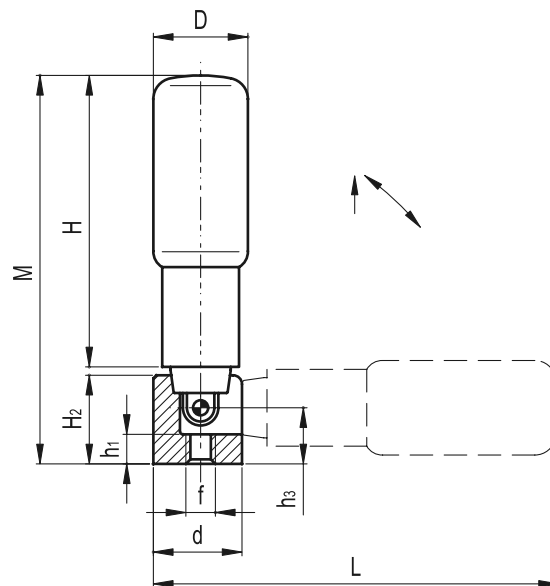
Stainless steel, thanks to its high resistance to corrosion, allows the application of these fold-away handles on machines and equipment in those sectors where laws or particular hygienic, climatic and environmental factors make it mandatory to use corrosion resistant materials.

Instructions of use

The handle is pulled out of its taper seating in the direction of the arrow and then tilted. A compression spring locks the handle in both end positions. A positive lock is achieved in the operating position by way of a taper seating.

Ergonomy and design

Typical in design is the stepped shape consisting of two cylinders giving the operator a better grip, especially when pulling the handle out from its locked position before it can be folded back into the rest position.



Standard Elements	Main dimensions							Mounting hole		Δ
Description	H	L	M	D	H ₂	d	h ₃	f	h ₁	g
GN 798.5-KT-16	41.5	60.5	58	16	15	16	9.5	M5	5	35
GN 798.5-KT-18	56	75	72.5	18	15	16	9.5	M5	5	45
GN 798.5-KT-22	59	84	80.5	22	19.5	20	10.5	M6	6	84
GN 798.5-KT-24	74	99	95.5	24	19.5	20	10.5	M6	6	95
GN 798.5-KT-25	84	108.5	105.5	25	19.5	20	10.5	M6	6	115