

# GN 798.3

## Fold-away handles



- **Handle**  
Polyamide-based (PA) technopolymer.
- **Colour**  
Black, matte finish.
- **Stud**  
Black-oxide steel.
- **Flat base**  
Black-oxide steel.

### Applications

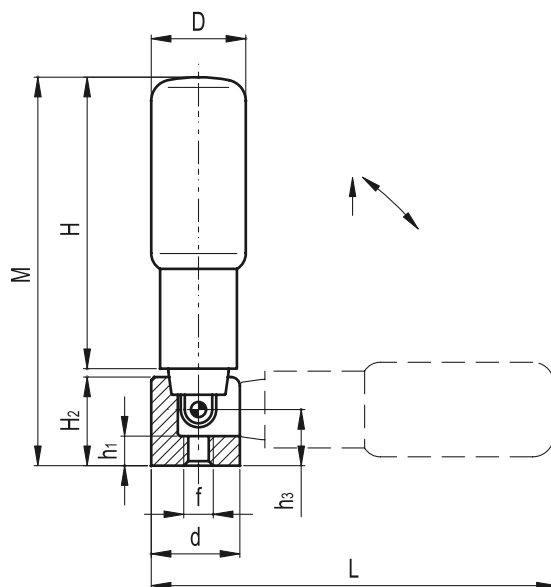
GN 798.3 fold-away handles are suitable when the handle must be withdrawn during automatic operations.

### Instructions of use

The handle is pulled out of its taper seating in the direction of the arrow and then tilted. A compression spring locks the handle in both end positions. A positive lock is achieved in the operating position by way of a taper seating.

### Ergonomy and design

Typical in design is the stepped shape consisting of two cylinders giving the operator a better grip, especially when pulling the handle out from its locked position before it can be folded back into the rest position.



Standard Elements	Main dimensions							Mounting hole		$\Delta$
Description	H	L	M	D	H <sub>2</sub>	d	h <sub>3</sub>	f	h <sub>1</sub>	g
GN 798.3-KT-16	41.5	60.5	58	16	15	16	9.5	M5	5	35
GN 798.3-KT-18	56	75	72.5	18	15	16	9.5	M5	5	41
GN 798.3-KT-22	59	84	80.5	22	19.5	20	10.5	M6	6	80
GN 798.3-KT-24	74	99	95.5	24	19.5	20	10.5	M6	6	90
GN 798.3-KT-25	84	108.5	105.5	25	19.5	20	10.5	M6	6	110