

GN 598.3



Fold-away handles

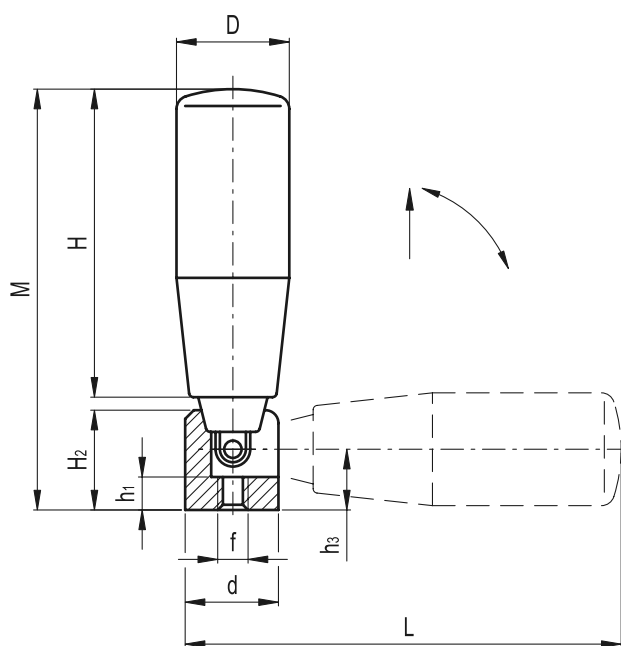


- **Material**
Black phenolic based (PF) Duroplast. Resistant to solvents, oils, greases and other chemical agents.
- **Stud**
Black-oxide steel.

Features and applications

The handle is pulled out of its taper seating in the direction of the arrow and then tilted. A fold-away mechanism with compression spring locks the handle in both end positions.

GN 598.3 fold-away handles are suitable when the handle must be withdrawn during automatic operations for safety reasons or for lack of space.



Standard Elements	Main dimensions							Mounting hole		⚖
	H	L	M	D	H ₂	d	h ₃	f	h ₁	
GN 598.3-KU-18	40	60	57	18	15	16	8.5	M5	5	50
GN 598.3-KU-21	50	70	67	21	15	16	8.5	M5	5	58
GN 598.3-KU-22	56	76	73	22	15	16	8.5	M5	5	63
GN 598.3-KU-23	65	90	87	23	19.5	20	10.5	M6	6	106
GN 598.3-KU-26	80	105	102	26	19.5	20	10.5	M6	6	138
GN 598.3-KU-28	90	119	118	28	26	26	16	M8	10	218

5

405

Fixed, revolving, fold-away handles