

# I.631+x

## Two-volume revolving handle



- **Material**  
High resilience polypropylene based (PP) technopolymer. Resistant to solvents, oils, greases and other chemical agents.
- **Colour**  
Black, matte finish.
- **Assembly**  
Zinc-plated steel shank, hexagon socket at threaded end.

### Ergonomy and Design

The two-volume special design of this handle provides the operator's hand with a safe and ergonomic grip.



# I.621+x

ELESA Original design

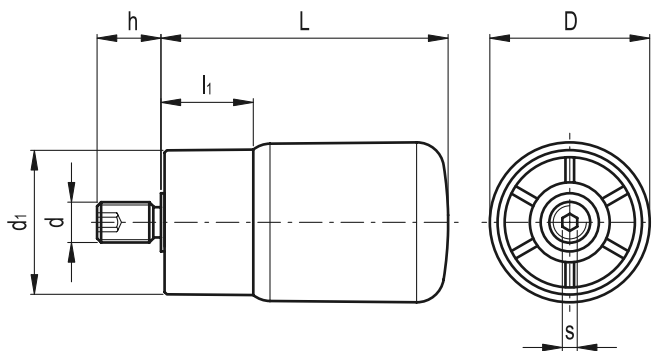
## Two-volume revolving handles



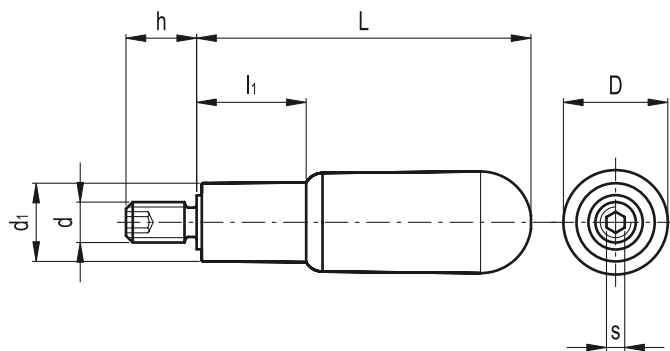
- **Material**  
Polyamide based (PA) technopolymer. Resistant to solvents, oils, greases and other chemical agents.
- **Colour**  
Black, matte finish.
- **Assembly**  
Zinc-plated steel shank, hexagon socket at threaded end.

### Ergonomy and design

The two-volume special design and the semi-spherical end of this handle provide the operator's hand with a safe and ergonomic grip.



Standard Elements		Main dimensions				Threaded shank			△△
Code	Description	D	L	d <sub>1</sub>	l <sub>1</sub>	d <sub>6g</sub>	h	s	g
122622	I.631/65+x-M10	35	63	32	19	M10	17	5	79



Standard Elements		Main dimensions				Threaded shank			△△
Code	Description	L	D	d <sub>1</sub>	l <sub>1</sub>	d <sub>6g</sub>	h	s	g
120621	I.621/45+x-M6	45	15.5	13	15	M6	13	3	27
120631	I.621/60+x-M6	60	18	14.5	19	M6	13	3	32
120641	I.621/65+x-M8	65	22	18	21	M8	15	4	80
120651	I.621/80+x-M8	80	24	18.5	27	M8	15	4	90
120661	I.621/90+x-M10	90	25	19.5	30	M10	17	5	120