

# GN 319.2

# S.N

## Revolving ball knobs



- **Knob**  
Phenolic based (PF) Duroplast. Resistant to solvents, oils, greases and other chemical agents.
- **Colour**  
Black, glossy finish.
- **Shank**  
Black-oxide steel with hexagon socket at threaded end.



## Spherical knobs



- **Material**  
Phenolic based (PF) Duroplast. Resistant to solvents, oils, greases and other chemical agents.
- **Colour**  
Black, glossy finish with equatorial groove.
- **Assembly**  
Glass-fibre reinforced polyamide based (PA) technopolymer selflocking boss, plain blind hole.  
The elastic coupling by press-fit assembly on h9 tolerance drawn stock bars, is not affected by vibrations and prevents the handle from slipping off (see Technical Data on page A13).

### Assembly instructions

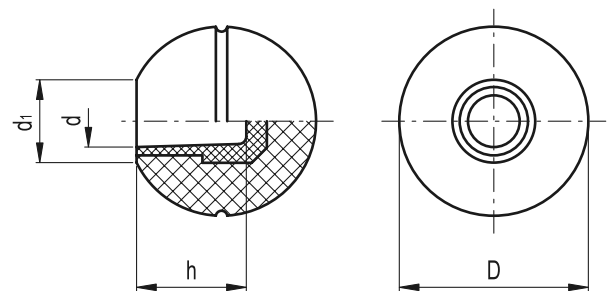
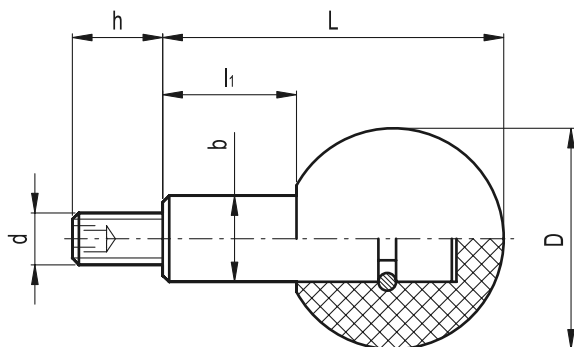
Fit the handle onto slight chamfered shaft end and push as far as possible by hand or by means of a small press. Alternatively it is possible to tap the handle with a plastic or wooden mallet until firmly in place. In this case we strongly recommend to use a cloth or other suitable soft material over the product to avoid any surface damage.



5

366

Fixed, revolving, fold-away handles



| Standard Elements | Main dimensions |      |                |    | Threaded shank |    | △△  |
|-------------------|-----------------|------|----------------|----|----------------|----|-----|
|                   | D               | L    | l <sub>1</sub> | b  | d              | h  |     |
| GN 319.2-25-M6    | 25              | 37.5 | 15             | 10 | M6             | 11 | 28  |
| GN 319.2-32-M8    | 32              | 48   | 19             | 13 | M8             | 13 | 62  |
| GN 319.2-40-M10   | 40              | 61   | 24             | 16 | M10            | 14 | 117 |
| GN 319.2-50-M12   | 50              | 78   | 31             | 20 | M12            | 21 | 237 |

| Standard Elements |             | Main dimensions |                | Mounting hole |    | △△ |
|-------------------|-------------|-----------------|----------------|---------------|----|----|
| Code              | Description | D               | d <sub>1</sub> | d             | h  |    |
| 52001             | S.20 N-6    | 20              | 7              | 6             | 13 | 5  |
| 52101             | S.25 N-6    | 25              | 10             | 6             | 13 | 12 |
| 52111             | S.25 N-8    | 25              | 10             | 8             | 14 | 10 |
| 52201             | S.30 N-8    | 30              | 15             | 8             | 14 | 17 |
| 52211             | S.30 N-10   | 30              | 15             | 10            | 18 | 16 |
| 52301             | S.35 N-8    | 35              | 15             | 8             | 14 | 29 |
| 52311             | S.35 N-10   | 35              | 15             | 10            | 18 | 26 |
| 52401             | S.40 N-10   | 40              | 18             | 10            | 18 | 40 |
| 52411             | S.40 N-12   | 40              | 18             | 12            | 21 | 40 |
| 52501             | S.45 N-12   | 45              | 21             | 12            | 21 | 57 |
| 52511             | S.45 N-14   | 45              | 21             | 14            | 24 | 56 |
| 52601             | S.50 N-12   | 50              | 21             | 12            | 21 | 80 |
| 52611             | S.50 N-14   | 50              | 21             | 14            | 24 | 76 |
| 52621             | S.50 N-16   | 50              | 21             | 16            | 28 | 74 |



**elessa+GANter**

ELESA and GANTER models all rights reserved in accordance with the law. Always mention the source when reproducing our drawings.