

P.390 N

ELESA Original design

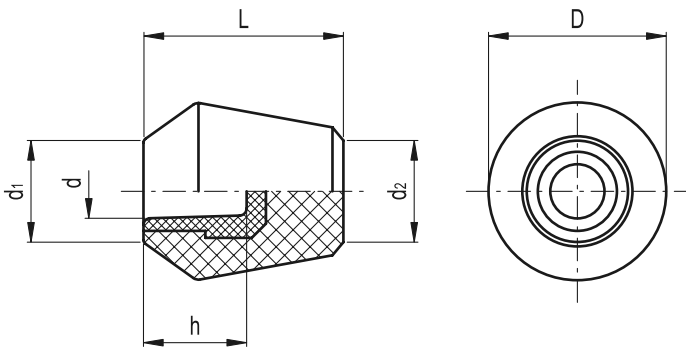
Handles



- **Material**
Phenolic based (PF) Duroplast. Resistant to solvents, oils, greases and other chemical agents.
- **Colour**
Black, glossy finish.
- **Assembly**
Glass-fibre reinforced polyamide based (PA) technopolymer self-locking boss, plain blind hole.
The elastic coupling by press-fit assembly on h9 tolerance drawn stock bars, is not affected by vibrations and prevents the handle from slipping off (see Technical Data on page A13).

Assembly instructions

Fit the handle onto slight chamfered shaft end and push as far as possible by hand or by means of a small press. Alternatively it is possible to tap the handle with a plastic or wooden mallet until firmly in place. In this case we strongly recommend to use a cloth or other suitable soft material over the product to avoid any surface damage.



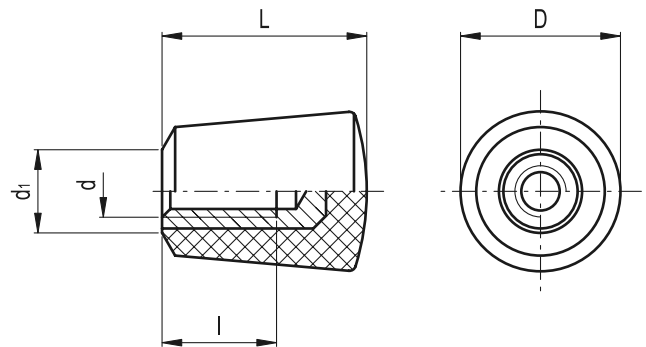
Standard Elements		Main dimensions				Mounting hole		Δ/Δ
Code	Description	D	L	d ₁	d ₂	d	h	g
47001	P.390/25 N-8	25	28	15	16	8	14	13
47101	P.390/30 N-10	30	33	17	19	10	18	21
47201	P.390/35 N-12	35	39	20	22	12	21	34
47301	P.390/40 N-14	40	45	23	25	14	24	50

I.307

Handles



- **Material**
Phenolic based (PF) Duroplast. Resistant to solvents, oils, greases and other chemical agents.
- **Colour**
Black, glossy finish.
- **Assembly**
Brass boss, tapped blind hole.



Standard Elements		Main dimensions			Mounting hole		Δ/Δ
Code	Description	L	D	d ₁	d _{6H}	l	g
23801	I.307/20 B-M5	20	15	7	M5	12	6
23901	I.307/25 B-M6	26	20	10	M6	16	12
23902	I.307/25 B-M8	26	20	10	M8	15	14
24001	I.307/30 B-M10	32	25	13	M10	17	25