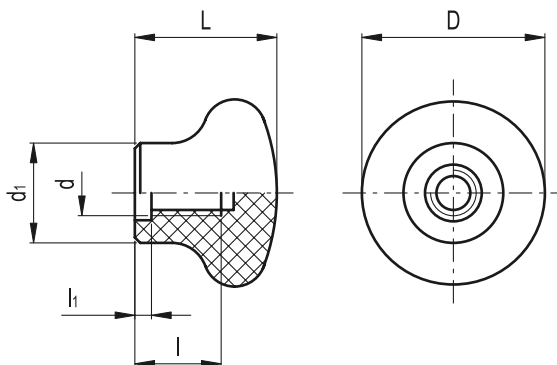


P.131

Handles



- **Material**
Phenolic based (PF) Duroplast. Resistant to solvents, oils, greases and other chemical agents.
- **Colour**
Black, glossy finish.
- **Assembly**
Tapped blind hole.



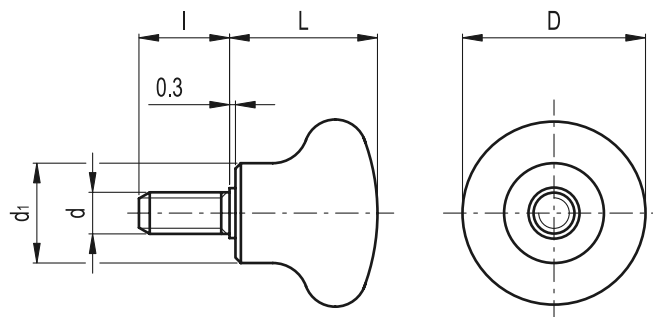
Standard Elements		Main dimensions			Mounting hole			Δ/Δ
Code	Description	D	L	d1	d	l	l1	g
46401	P.131/35-M8	34	27	19	M8	15	3.5	16
46501	P.131/45-M10	44	34	24	M10	20	4	36

P.131 p

Handles



- **Material**
Phenolic based (PF) Duroplast. Resistant to solvents, oils, greases and other chemical agents.
- **Colour**
Black, glossy finish.
- **Assembly**
Zinc-plated steel stud, chamfered flat end according to UNI 947 : ISO 4753 (see Technical Data on page A11).



Standard Elements		Main dimensions			Threaded stud		Δ/Δ
Code	Description	D	L	d1	d 6g	l	g
46411	P.131/35 p-M8x25	34	27	19	M8	25	36
46511	P.131/45 p-M10x20	44	34	24	M10	20	58