

I.168 SOFT

SOFT

ELESA Original design

Knurled handle



- **Material**

Glass-fibre reinforced polyamide based (PA) technopolymer coated with "soft-touch" thermoplastic elastomer (TPE), hardness 90 Shore A. Resistant to solvents, oils, greases and other chemical agents.

- **Colour**

Black, matte finish.

- **Assembly**

Brass boss, plain blind hole.

Fitting to the shaft by means of a black-oxide steel socket set screw according to ISO 4029 (grub screws with hexagon socket and cup end).



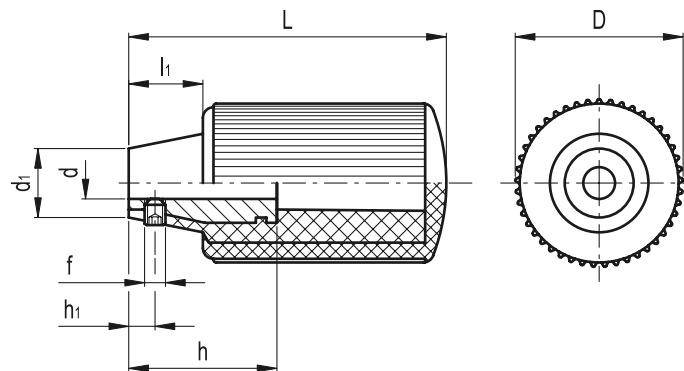
Features and applications

The surface, coated with "soft-touch" elastomer, improves the grip even in the presence of oils, greases and sweat from the hand. For this reason it is suitable for fitness machines, tools and machines for gardening and goods transport, high-precision instruments and disability aids.

5

384

Fixed, revolving, fold-away handles



Standard Elements		Main dimensions						Mounting hole		⚖
Code	Description	L	D	d ₁	l ₁	h ₁	f	d H7	h	g
120402	I.168/60 B-6-SOFT	60	30	13	14	5	M4	6	28	59