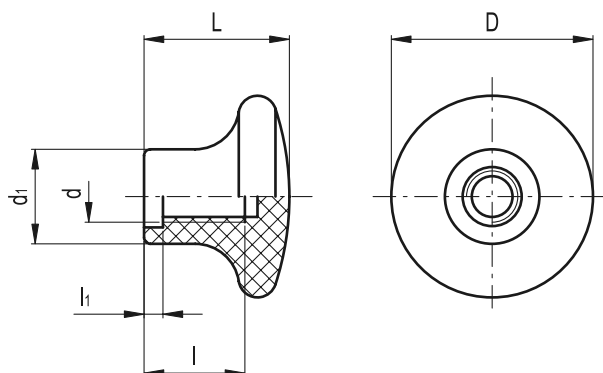


I.150

Handles



- **Material**
Phenolic based (PF) Duroplast. Resistant to solvents, oils, greases and other chemical agents.
- **Colour**
Black, glossy finish.
- **Assembly**
Tapped blind hole.



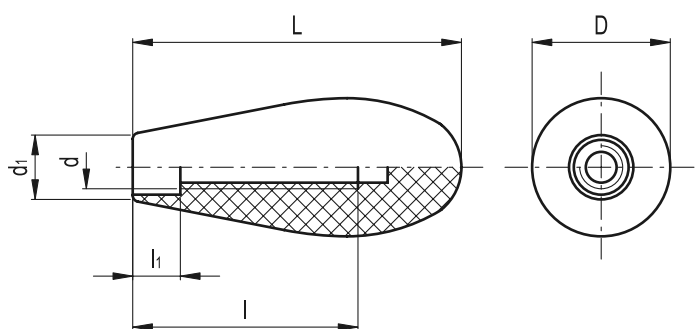
Standard Elements		Main dimensions			Mounting hole			Δ
Code	Description	D	L	d1	d	l	l1	g
20201	I.150/25-M5	25	19	12	M5	10	3	6
20202	I.150/25-M6	25	19	12	M6	10	3	5
20211	I.150/30-M6	32	23	15	M6	16	3	13
20212	I.150/30-M8	32	23	15	M8	16	3	12

I.137

Handles



- **Material**
Phenolic based (PF) Duroplast. Resistant to solvents, oils, greases and other chemical agents.
- **Colour**
Black, glossy finish.
- **Assembly**
Tapped blind hole.



Standard Elements		Main dimensions			Mounting hole			Δ
Code	Description	L	D	d1	d	l	l1	g
19301	I.137/70-M8	69	29	14	M8	45	10	37
19302	I.137/70-M10	69	29	14	M10	45	15	35
19401	I.137/80-M12	79	35	17	M12	55	12	60