

# I.218

## Handle



- **Material**  
Phenolic based (PF) Duroplast. Resistant to solvents, oils, greases and other chemical agents.
- **Colour**  
Black, glossy finish.
- **Assembly**  
Tapped blind hole.

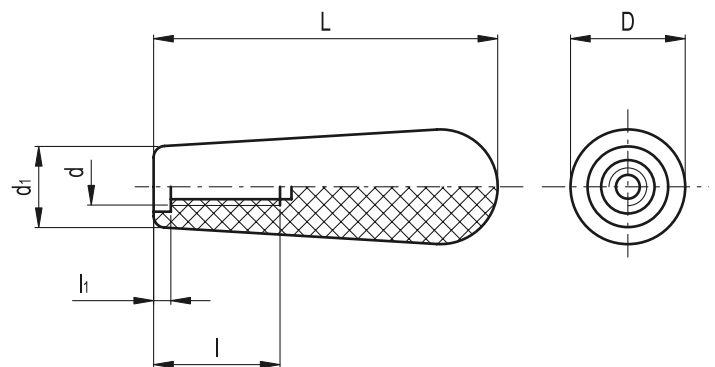
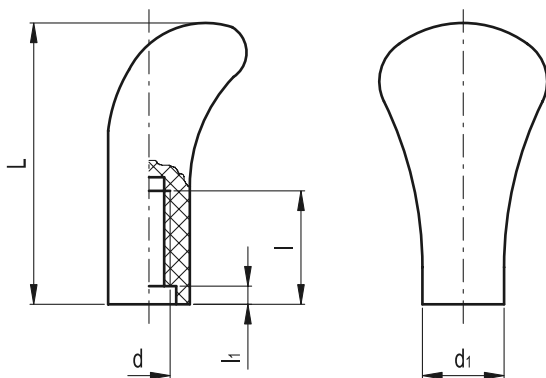


# I.142

## Handle



- **Material**  
Phenolic based (PF) Duroplast. Resistant to solvents, oils, greases and other chemical agents.
- **Colour**  
Black, glossy finish.
- **Assembly**  
Tapped blind hole.



Standard Elements		Main dimensions		Mounting hole			⚖
Code	Description	L	d <sub>1</sub>	d	l	l <sub>1</sub>	g
20801	I.218/60-M10	62	18	M10	25	4	32

Standard Elements		Main dimensions			Mounting hole			⚖
Code	Description	L	D	d <sub>1</sub>	d	l	l <sub>1</sub>	g
19701	I.142/60-M8	60	20	14	M8	20	3	17