

Knurled knobs



- **Material**

Glass-fibre reinforced polyamide based (PA) technopolymer. Resistant to solvents, oils, greases and other chemical agents.

- **Colour**

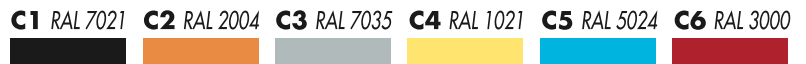
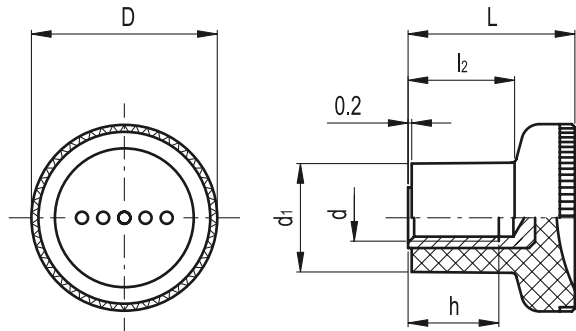
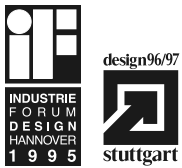
Available in Ergostyle colours, matte finish.

- **Assembly**

Brass boss, tapped blind hole.

Ergonomy and design

When it is used as a push-pull button, the thumb rests naturally on the concave front surface improving the grip. The slight knurling on the rim of the knob makes tightening or clamping operations easier.



Standard Elements		Main dimensions				Mounting hole		△△
Code	Description	D	L	d ₁	l ₂	d 6H	h	g
242081-*	EKK.16 B-M3-*	16	13	8.5	8.5	M3	6	7
242091-*	EKK.18 B-M4-*	18	15.5	10.5	10.5	M4	6	6
242111-*	EKK.21 B-M4-*	21	18	12.5	10.5	M4	10	8
242121-*	EKK.21 B-M5-*	21	18	12.5	10.5	M5	10	7
242211-*	EKK.25 B-M6-*	25	22.5	14.5	14	M6	12	11
242221-*	EKK.25 B-M8-*	25	22.5	14.5	14	M8	12	10
242311-*	EKK.31 B-M8-*	31	27	18.5	17	M8	15	20
242321-*	EKK.31 B-M10-*	31	27	18.5	17	M10	17	19

* Complete the code and the description of the standard item needed by adding the index of the colour of the knurled knob (C1, ..., C6) ex: 242081-C2 EKK.16 B-M3-C2