

## Knurled knobs



### Material

Glass-fibre reinforced polyamide based (PA) technopolymer. Resistant to solvents, oils, greases and other chemical agents.

### Colour

Grey-black, matte finish.

### Assembly

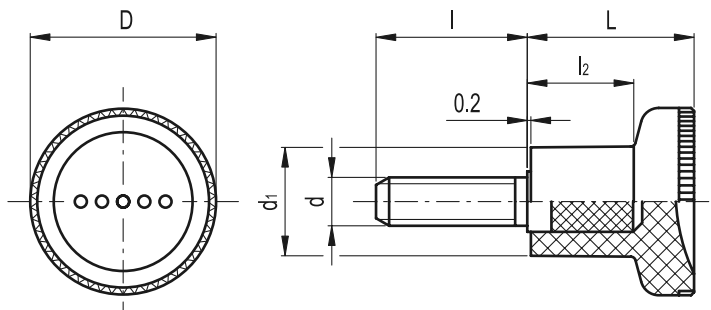
Zinc-plated steel threaded stud, chamfered end according to UNI 947 : ISO 4753 (see Technical Data on page A11).

### Special executions on request

Should these knurled knobs be requested in one of the other Ergostyle colours, we suggest to use, if possible, the boss type (see EKK. on page 377). For sufficient quantities the knurled knobs EKK.p can anyway be provided in one of the other Ergostyle colours.

### Ergonomy and design

When it is used as a push-pull button, the thumb rests naturally on the concave front surface improving the grip. The slight knurling on the rim of the knob makes tightening or clamping operations easier.



Standard Elements		Main dimensions				Threaded stud		⚖
Code	Description	D	L	d1	l2	d 6g	l	g
243121-C1	EKK.21 p-M5x10-C1	21	18	12.5	10.5	M5	10	7
243126-C1	EKK.21 p-M5x16-C1	21	18	12.5	10.5	M5	16	8
243131-C1	EKK.21 p-M5x20-C1	21	18	12.5	10.5	M5	20	9
243146-C1	EKK.21 p-M6x16-C1	21	18	12.5	10.5	M6	16	10
243151-C1	EKK.21 p-M6x20-C1	21	18	12.5	10.5	M6	20	11
243161-C1	EKK.21 p-M6x30-C1	21	18	12.5	10.5	M6	30	13
243226-C1	EKK.25 p-M6x16-C1	25	22.5	14.5	14	M6	16	13
243231-C1	EKK.25 p-M6x20-C1	25	22.5	14.5	14	M6	20	14
243236-C1	EKK.25 p-M6x25-C1	25	22.5	14.5	14	M6	25	15
243241-C1	EKK.25 p-M6x30-C1	25	22.5	14.5	14	M6	30	16
243326-C1	EKK.31 p-M8x20-C1	31	27	18.5	17	M8	20	26
243331-C1	EKK.31 p-M8x25-C1	31	27	18.5	17	M8	25	28
243336-C1	EKK.31 p-M8x30-C1	31	27	18.5	17	M8	30	30
243346-C1	EKK.31 p-M8x40-C1	31	27	18.5	17	M8	40	32
243361-C1	EKK.31 p-M10x30-C1	31	27	18.5	17	M10	30	34
243371-C1	EKK.31 p-M10x40-C1	31	27	18.5	17	M10	40	40