

DIN 319

Ball knobs



• Material

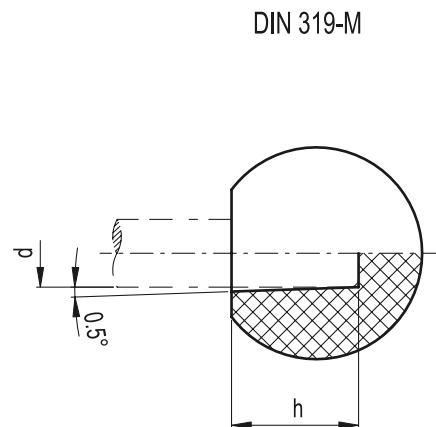
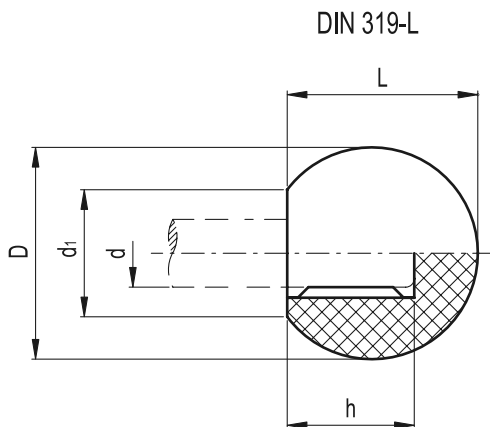
- **KU**: phenolic based (PF) black Duroplast, glossy finish.
 - **KT**: polyamide based (PA) black technopolymer, matte finish.
- Resistant to solvents, oils, greases and other chemical agents.

• Colour

Black, glossy finish.

• Assembly

- Execution **L**: hole with tolerance ring in spring steel.
- Execution **M**: with tapered hole.



Standard Elements Description	Main dimensions			Mounting hole		Δ \triangle g
	D	L	d ₁	d	h	
DIN 319-KU-16-B4-L	16	15	8	4	11	4
DIN 319-KT-16-B4-M	16	15	8	4	9	3
DIN 319-KU-20-B5-L	20	18	12	5	13	6
DIN 319-KT-20-B5-M	20	18	12	5	12	6
DIN 319-KT-20-B6-M	20	18	12	6	12	6
DIN 319-KU-25-B6-L	25	22.5	15	6	16	10
DIN 319-KT-25-B6-M	25	22.5	15	6	16	10
DIN 319-KU-25-B8-L	25	22.5	15	8	15	10
DIN 319-KT-25-B8-M	25	22.5	15	8	15	10
DIN 319-KU-25-B10-L	25	22.5	15	10	15	11
DIN 319-KU-32-B8-L	32	29	18	8	15	23
DIN 319-KT-32-B8-M	32	29	18	8	17	23
DIN 319-KU-32-B10-L	32	29	18	10	20	23
DIN 319-KT-32-B10-M	32	29	18	10	17	20
DIN 319-KU-32-B12-L	32	29	18	12	20	21

Standard Elements Description	Main dimensions			Mounting hole		Δ \triangle g
	D	L	d ₁	d	h	
DIN 319-KU-40-B10-L	40	37	22	10	25	44
DIN 319-KT-40-B10-M	40	37	22	10	20	42
DIN 319-KU-40-B12-L	40	37	22	12	23	42
DIN 319-KT-40-B12-M	40	37	22	12	20	41
DIN 319-KU-50-B12-L	50	46	28	12	20	86
DIN 319-KU-50-B16-L	50	46	28	16	23	83