

L.652 p

ELESA Original design



Handles



- **Material**

Glass-fibre reinforced polyamide based (PA) technopolymer. Resistant to solvents, oils, greases and other chemical agents.

- **Colour**

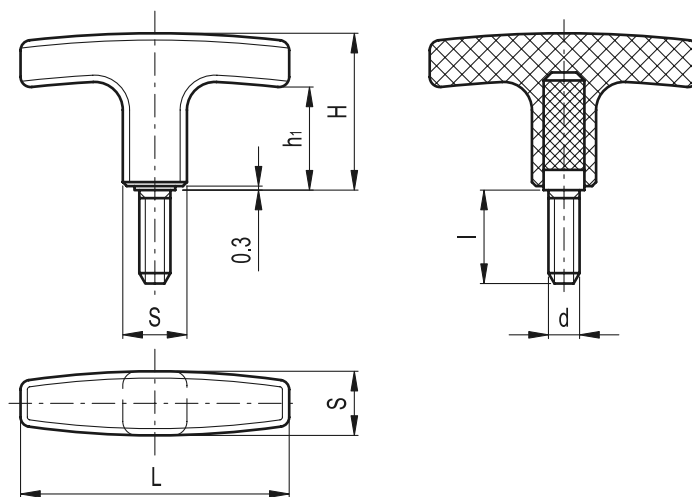
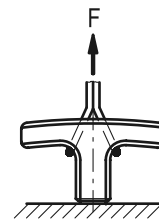
Black, matte finish.

- **Assembly**

Zinc-plated steel threaded stud, chamfered flat end according to UNI 947 : ISO 4753 (see Technical Data on page A11).

Technical data

Tensile stress: F values reported in the table are the result of breaking tests carried out with the appropriate dynamometric equipment under the test conditions shown in the figure with ambient temperature.



Standard Elements		Main dimensions				Threaded stud		F	⚖
Code	Description	L	S	H	h ₁	d _{6g}	l	[N]	g
32429	L.652/40 p-M6x20	40	13x13	30	20	M6	20	2500	17
32439	L.652/55 p-M8x20	55	14x14	33	22	M8	20	3300	28
32449	L.652/67 p-M8x25	67	16x16	37	25	M8	25	4500	38
32461	L.652/80 p-M10x20	80	20x20	41	26	M10	20	7000	52
32462	L.652/80 p-M10x30	80	20x20	41	26	M10	30	7000	58
32943	L.652/95 p-M12x30	94	21x21	46	28.5	M12	30	8000	68