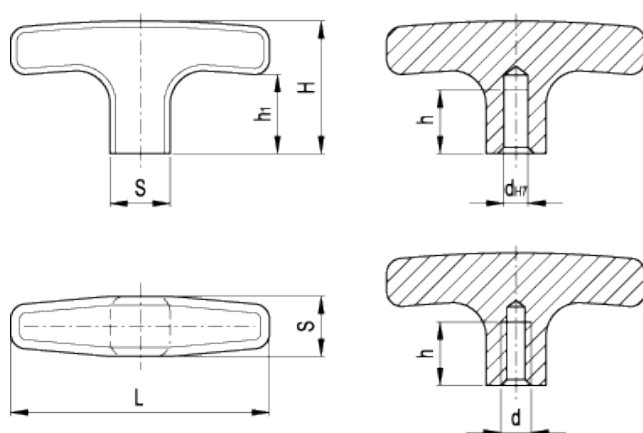


L.652M

Handles



ELESA Original design



Elesa Standards		Main dimensions				Mounting holes			Weight
Code	Description	L	S	H	h ₁	d _{H7}	d	h	g
33432	L.652-M-AL-55-B6	55	14x14	33	22	6	-	12	30
33437	L.652-M-AL-55-B6-C9	55	14x14	33	22	6	-	12	30
33433	L.652-M-AL-55-M6	55	14x14	33	22	-	M6	12	30
33438	L.652-M-AL-55-M6-C9	55	14x14	33	22	-	M6	12	30
33442	L.652-M-AL-67-B8	67	16x16	37	25	8	-	16	45
33447	L.652-M-AL-67-B8-C9	67	16x16	37	25	8	-	16	45
33443	L.652-M-AL-67-M8	67	16x16	37	25	-	M8	16	45
33448	L.652-M-AL-67-M8-C9	67	16x16	37	25	-	M8	16	45
33452	L.652-M-AL-80-B8	80	20x20	41	26	8	-	16	80
33457	L.652-M-AL-80-B8-C9	80	20x20	41	26	8	-	16	80
33453	L.652-M-AL-80-M8	80	20x20	41	26	-	M8	16	80
33458	L.652-M-AL-80-M8-C9	80	20x20	41	26	-	M8	16	80

Material

Aluminium.

- Execution L.652-M: natural aluminium.

- Execution L.652-M-C9: epoxy resin coating, RAL 9005 black colour, matte finish.

Assembly

Plain or tapped blind hole.

Special executions on request (For sufficient quantities)
Anodised aluminium, natural colour, matte finish.



STANDARD MACHINE ELEMENTS WORLDWIDE