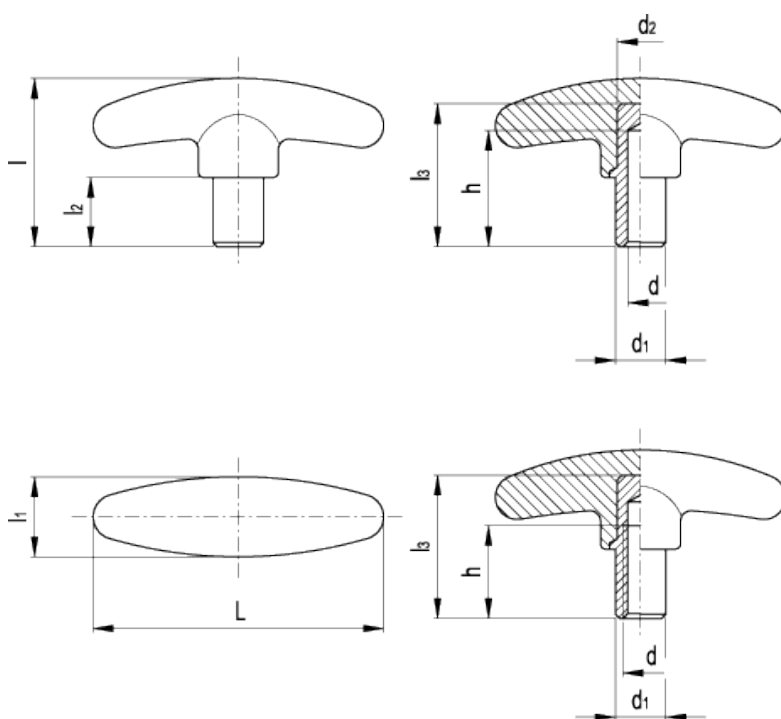


L.152

Handles



Elesa Standards		Main dimensions							Mounting hole			F	Weight
Code	Description	L	l	l ₁	l ₂	l ₃	d ₁	d ₂	d _{H8}	d _{6H}	h	[N]	g
32101	L.152/70 A-6	69	40	19	16	34	12	11	6	-	25	2000	37
32111	L.152/70 A-M8	69	40	19	16	34	12	11	-	M8	20	2000	34
32201	L.152/80 A-6	79	44	22	18	36	16	13	6	-	25	2000	66
32211	L.152/80 A-M8	79	44	22	18	36	16	13	-	M8	20	2000	63
32301	L.152/95 A-6	95	50	26	19	41	18	15	6	-	30	4000	102
32303	L.152/95 A-10	95	50	26	19	41	18	15	10	-	30	4000	91
32311	L.152/95 A-M10	95	50	26	19	41	18	15	-	M10	25	4000	93

Material
Phenolic based (PF) Duroplast. Resistant to solvents, oils, greases and other chemical agents.

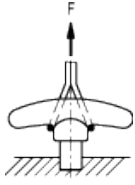
Colour
Black, glossy finish.

Assembly

Black-oxide steel boss, plain or tapped blind hole.

Technical data

Tensile stress: F values reported in the table are the result of breaking tests carried out with the appropriate dynamometric equipment under the test conditions shown in the figure with ambient temperature.



STANDARD MACHINE ELEMENTS WORLDWIDE

ELESA models all rights reserved in accordance with the law. Always mention the source when reproducing our drawings.