

ELESA Original design

Bi-directional flush pull handle (assembly by means of screws)



• Material

Glass-fibre reinforced polyamide based (PA) technopolymer. Resistant to solvents, oils, greases and other chemical agents.

• Colour

White, similar to RAL 9002, matte finish.

• Assembly

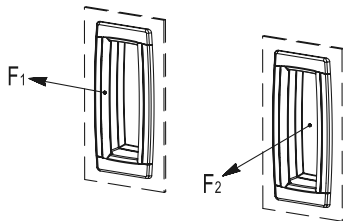
4 zinc-plated steel self-tapping screws $\varnothing 3.5 \times 20$, supplied.
Maximum tightening torque of the screws 1.2 [Nm].

Features and applications

ERB. bi-directional flush pull handles are suitable to open and close sliding doors. The white colour is suitable for applications on medical and hospital equipment and food processing machines. The ergonomics of the cavity offers a safe and secure, comfortable and ergonomic grip. Rounded and compact lines.

Technical data

The lifting (F1) and pull out (F2) resistance values reported in the table are the result of tests carried out in laboratory with handles assembled on strengthened metal sheet panels with thickness = 1.5 mm (strengthened for test purposes).



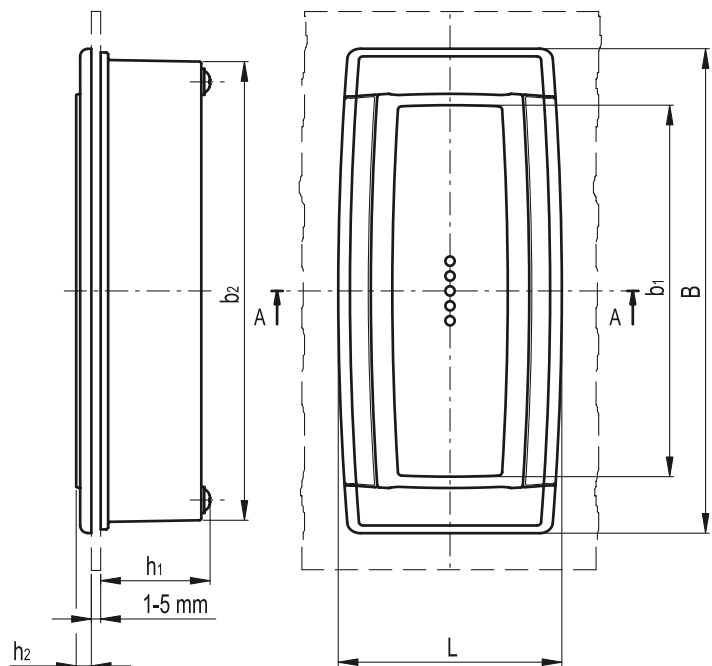
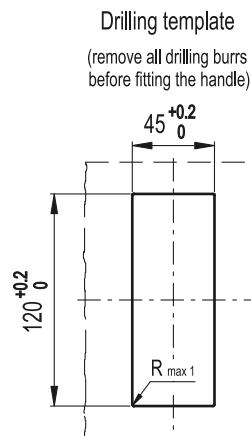
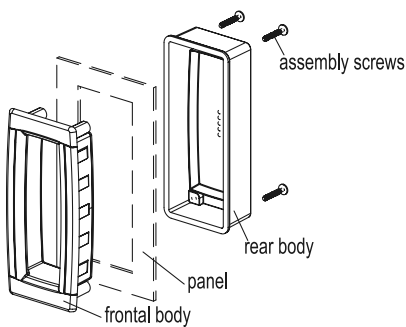
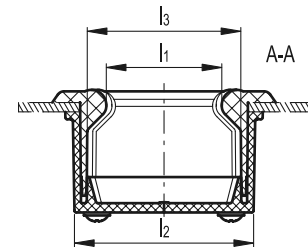
4

338

U-handles

Assembly instructions

1. Drill the handle housing according to the template dimensions reported in the table.
2. Remove all drilling burrs before fitting the handle.
3. Fit the frontal body of the handle into the housing of the panel.
4. Fit the rear body of the handle onto the rear panel and press until the complete fitting with the frontal handle part.
5. Fit the two bodies with self-tapping screws.



Standard Elements		Main dimensions									F1	F2	△
Code	Description	B	L	h1	h2	b1	b2	l1	l2	l3	[N]	[N]	g
151311	ERB.130 CLEAN	130	60	29.5	3	101	123	31	48	41	3500	3500	95



eleSA-GANTER

ELESA and GANTER models all rights reserved in accordance with the law. Always mention the source when reproducing our drawings.