

EPR/F-SH

ERGOSTYLE®

ELESA Original design

Flush pull handle with flap (assembly by means of screws)



• Material

Glass-fibre reinforced polyamide based (PA) technopolymer. Resistant to solvents, oils, greases and other chemical agents.

• Colour

Grey-black, matte finish.

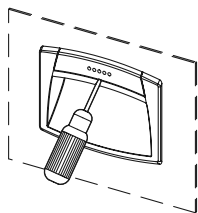
• Screw cover

Technopolymer in Ergostyle colours, glossy finish, removable by a screwdriver by playing upon the central part (see drawing).

Available also as accessory sold separately (see caps table).

Code	Description
29852*	ECO.R2.*

* Complete the code and the description by adding the index of the colour (C1, ..., C6).



2007

4

336

U-handles

• Flap

Grey-black technopolymer, matte finish, stainless steel return spring.

• Assembly

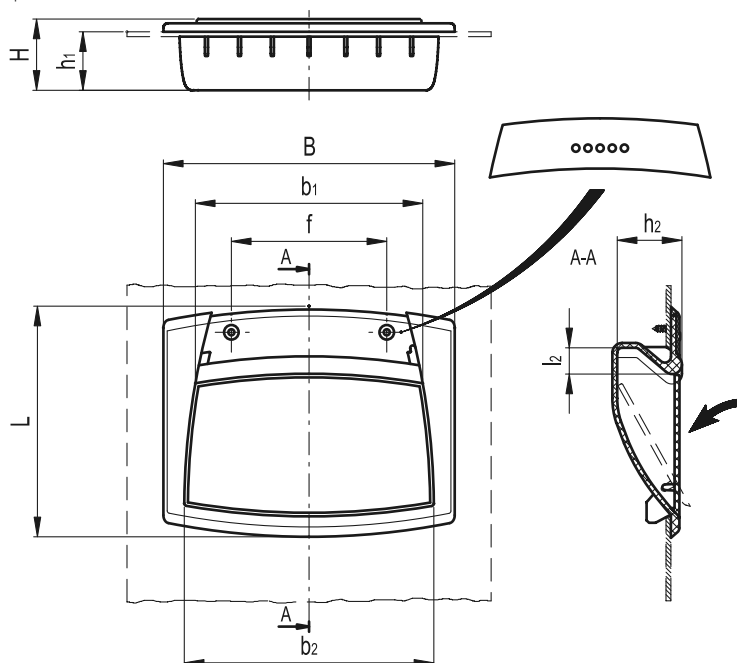
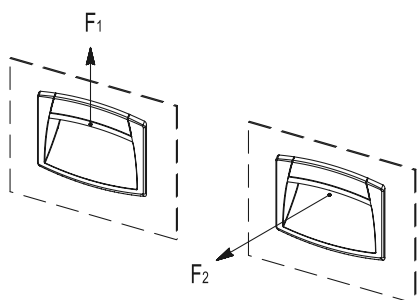
Passing through holes for AISI 304 stainless steel self-tapping screws according to ISO 7050 Ø 2.9x9.5 mm, supplied (see Assembly instructions).

Ergonomy and design

A modern design thanks to the compact shape. The internal profile of the cavity offers a safe, comfortable and ergonomic grip. The coloured screw cover improves the visibility of the handle and offers the possibility of product customisation. The flap is a unique feature for closing completely the recess.

Technical data

The lifting (F1) and pull out (F2) resistance values reported in the table are the result of the tests carried out in laboratory with handles assembled on strengthened metal sheet panels with thickness = 1.5 mm (strengthened for test purposes).



C1 RAL 7021 C2 RAL 2004 C3 RAL 7035 C4 RAL 1021 C5 RAL 5024 C6 RAL 3000



Standard Elements		Main dimensions									F1	F2	△△
Code	Description	B	L	H	f	h1	h2	b1	b2	l2	[N]	[N]	g
261131.*	EPR.120/F-SH.*	120	95	28.5	64	24	26.5	94	103	11	1200	400	70

* Complete the code and the description of the standard item needed by adding the index of the colour of the screw cover (C1, ..., C6) ex: 261131-C2 EPR.120/F-SH-C2



ELESA and GANTER models all rights reserved in accordance with the law. Always mention the source when reproducing our drawings.