

## Guard wing handles



### Material

Glass-fibre reinforced polyamide based (PA) technopolymer. Resistant to solvents, oils, greases and other chemical agents.

### Colour

Grey-black, matte finish.

### Caps

Technopolymer in Ergostyle colours, glossy finish; supplied not assembled, snap-in assembly, removable by a screwdriver. Available also as accessories sold separately (see caps table).

Code	Description
29865.*	ECA.PS.*

\* Complete the code and the description by adding the index of the colour (C1, ..., C6).

### Assembly

- Execution **EH**: through holes for cylindrical-head screws with hexagon socket, hexagonal-head screws or standard lock nuts.
- Execution **SH**: through holes for countersunk head screws.

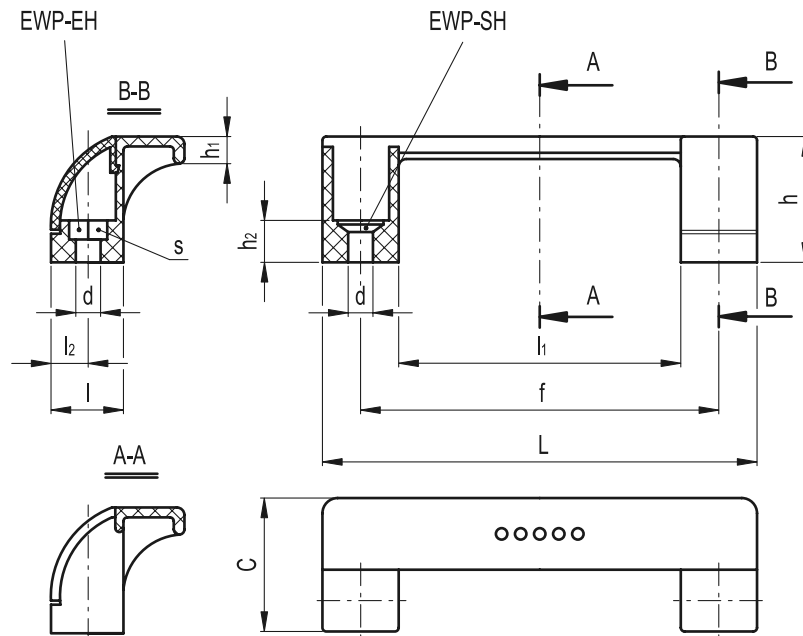
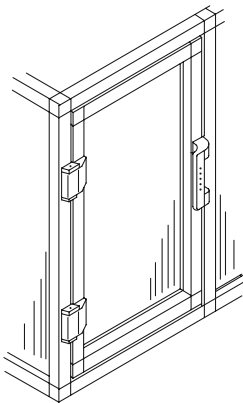
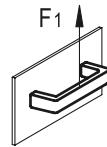
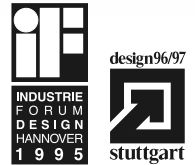
### Features and applications

EWP. handles have been especially designed to fit machines guards or automation systems with single-leaf door.

The coloured caps improve the visibility of the handle and offer the possibility of product customisation.

### Technical data

Tensile stress: F1 value reported in the table is the result of breaking tests carried out with an appropriate dynamometric equipment under the test conditions shown in the figure with ambient temperature.



**C1** RAL 7021 **C2** RAL 2004 **C3** RAL 7035 **C4** RAL 1021 **C5** RAL 5024 **C6** RAL 3000



Standard Elements		Main dimensions								Mounting holes			F1	$\Delta$
Code	Description	L	f	h	C	l	l1	l2	h1	d	h2	s	[N]	g
265211.*	EWP.110-EH.*	114	93.5±0.5	33	35	19	74	9.5	7	6.5	11	10	90	26
265251.*	EWP.110-SH.*	114	93.5±0.5	33	35	19	74	9.5	7	6.5	11	-	90	26

\* Complete the code and the description of the standard item needed by adding the index of the colour of the caps (C1, ..., C6) ex: 265211-C2 EWP.110-EH-C2