

M.643 HT

ELESA Original design



Handles



Material

Glass-fibre reinforced polyamide based (PA) technopolymer, resistant to high temperatures. Resistant to solvents, oils, greases and other chemical agents.

Colour

Black, matte finish.

Assembly

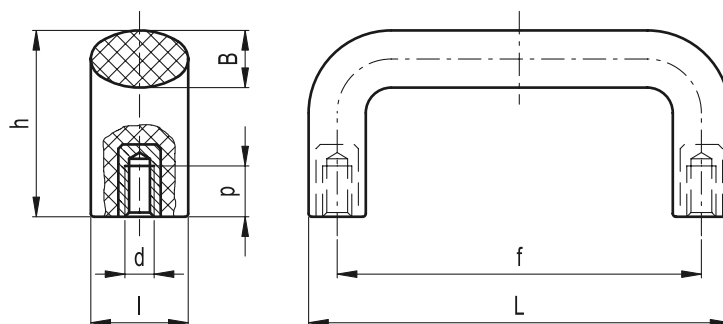
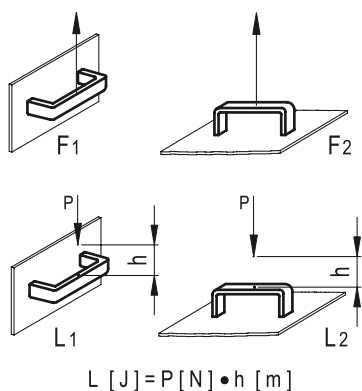
Brass bosses, tapped blind holes.

Maximum working temperature

200°C.

Technical data

Tensile stress and impact strength: F1, F2, L1 and L2 values reported in the table are the result of breaking tests carried out with the appropriate dynamometric equipment under the test conditions shown in the figure with ambient temperature.



Standard Elements		Main dimensions					Threaded bosses		F1	F2	L1	L2	△△
Code	Description	L	f	h	B	l	d 6H	p	[N]	[N]	[J]	[J]	g
37502	M.643/100 B-M6 HT	100	86±0.5	44	14	23	M6	12	2400	2400	12	6	59
37510	M.643/140 B-M6 HT	134	117±0.5	49	15	25	M6	12	2500	3400	8	12	85
37511	M.643/140 B-M8 HT	134	117±0.5	49	15	25	M8	13	2500	3400	8	12	87
37551	M.643/200 B-M8 HT	196	179±1	57	16	27	M8	13	1900	2600	11	17	132



eleSA-GANTER

ELESA and GANTER models all rights reserved in accordance with the law. Always mention the source when reproducing our drawings.

4

300

U-handles