

M.643 FM

ELESA Original design

Handles (front mounting)



- **Material**

High resilience polypropylene based (PP) technopolymer. Resistant to solvents, oils, greases and other chemical agents.

- **Colour**

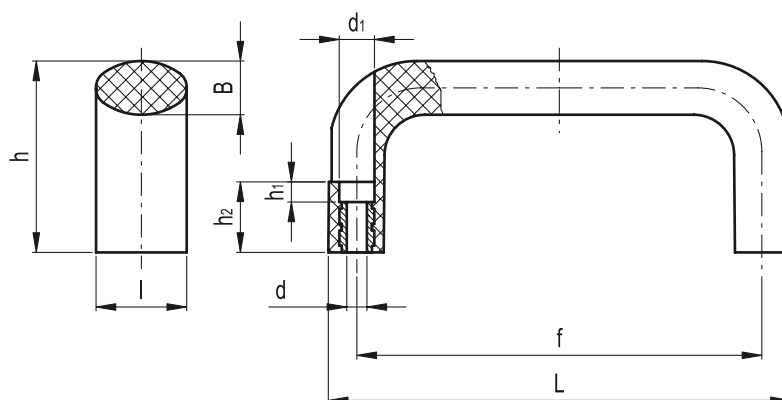
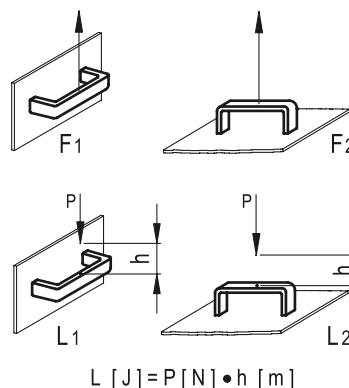
Black, matte finish.

- **Assembly**

Brass bosses, through holes for cylindrical-head screws with hexagon socket.

Technical data

Tensile stress and impact strength: F1, F2, L1 and L2 values reported in the table are the result of breaking tests carried out with the appropriate dynamometric equipment under the test conditions shown in the figure with ambient temperature.



Standard Elements		Main dimensions					Mounting holes				F1	F2	L1	L2	$\Delta \triangle$
Code	Description	L	f	h	B	l	d	d1	h1	h2	[N]	[N]	[J]	[J]	g
137311	M.643 FM/140 B-6	134	117±0.5	49	15	25	6.4	10.5	6	21	2000	2800	11	9	64
137351	M.643 FM/200 B-6	196	179±1	57	16	27	6.4	10.5	6	21	1900	1900	11	13	89