

# M.479

ELESA Original design

## Bridge handle



### Material

Glass-fibre reinforced polyamide based (PA) technopolymer. Resistant to solvents, oils, greases and other chemical agents.

### Colour

Black, glossy finish.

### Screw covers

Technopolymer in six standard colours, matte finish, press-fit assembly, removable by a screwdriver.

Available also as accessories sold separately (see caps table).

Code	Description	Caps for
29831-*	ECA.B1-*	M.479/150

\* Complete the code and the description adding the index of the colour (C1, ..., C6).

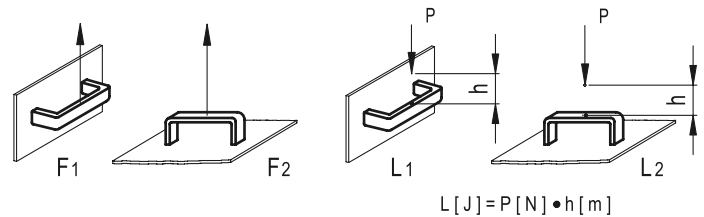
### Assembly

M.479/150-8: through holes for cylindrical-head screws with hexagon socket. Screw covers supplied not assembled.

M.479/150 B-M8: brass boss, tapped holes. Screw covers supplied assembled.

### Technical data

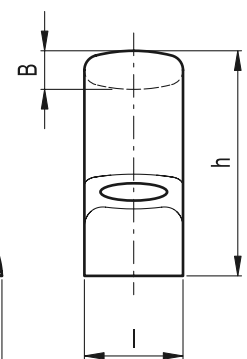
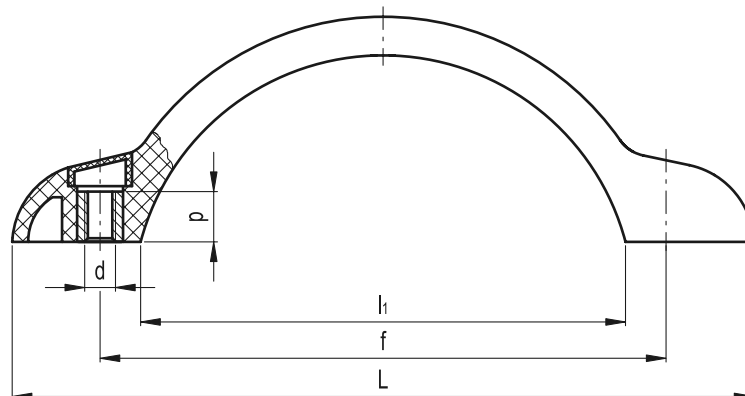
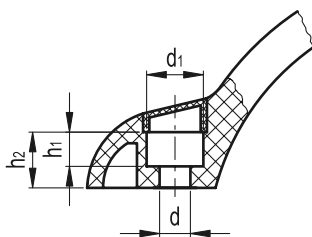
Tensile stress and impact strength: F1, F2, L1 and L2 values reported in the table are the result of breaking tests carried out with the appropriate dynamometric equipment under the test conditions shown in the figure with ambient temperature.



4  
323  
U-handles

M.479/150-8

M.479/150 B-M8



C1 RAL 7021 C2 RAL 2004 C3 RAL 7035 C4 RAL 1021 C5 RAL 5024 C6 RAL 3000



Standard Elements		Main dimensions						Mounting holes				F1	F2	L1	L2	△	
Code	Description	L	f	l	h	B	l <sub>1</sub>	d	p	d <sub>1</sub>	h <sub>1</sub>	h <sub>2</sub>	[N]	[N]	[J]	[J]	g
37461-*	M.479/150-8-*	173	132±0.5	23	52.5	9	113	8.5	-	13.5	8.5	13	2100	2600	15	7	49
37466-*	M.479/150 B-M8-*	173	132±0.5	23	52.5	9	113	M8	12	-	-	-	2100	2600	15	7	57

\* Complete the code and the description of the standard item needed by adding the index of the colour of the caps (C1, ..., C6), es: 37461-C2 M.479/150-8-C2