

# M.478

ELESA Original design

## Bridge handle



### Material

Glass-fibre reinforced polyamide based (PA) technopolymer. Resistant to solvents, oils, greases and other chemical agents.

### Colour

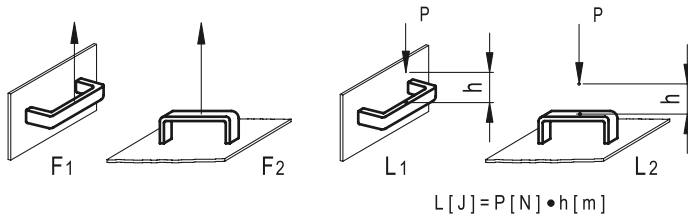
Black, glossy finish.

### Assembly

Through holes for screws or rivet.

### Technical data

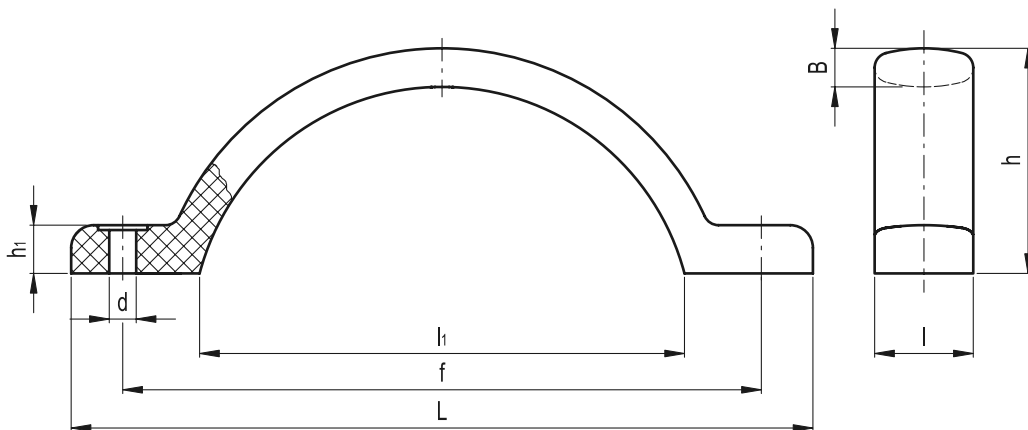
Tensile stress and impact strength: F1, F2, L1 and L2 values reported in the table are the result of breaking tests carried out with the appropriate dynamometric equipment under the test conditions shown in the figure with ambient temperature.



4

322

U-handles



Standard Elements		Main dimensions					Mounting holes		F1	F2	L1	L2	⚖	
Code	Description	L	f	l	h	B	l <sub>1</sub>	h <sub>1</sub>	d	[N]	[N]	[J]	[J]	g
37451	M.478/150-6	173	150±0.5	23	52.5	9	113	9	6	1800	4500	18	8	46



**eleSA-GANTER**

ELESA and GANTER models all rights reserved in accordance with the law. Always mention the source when reproducing our drawings.