

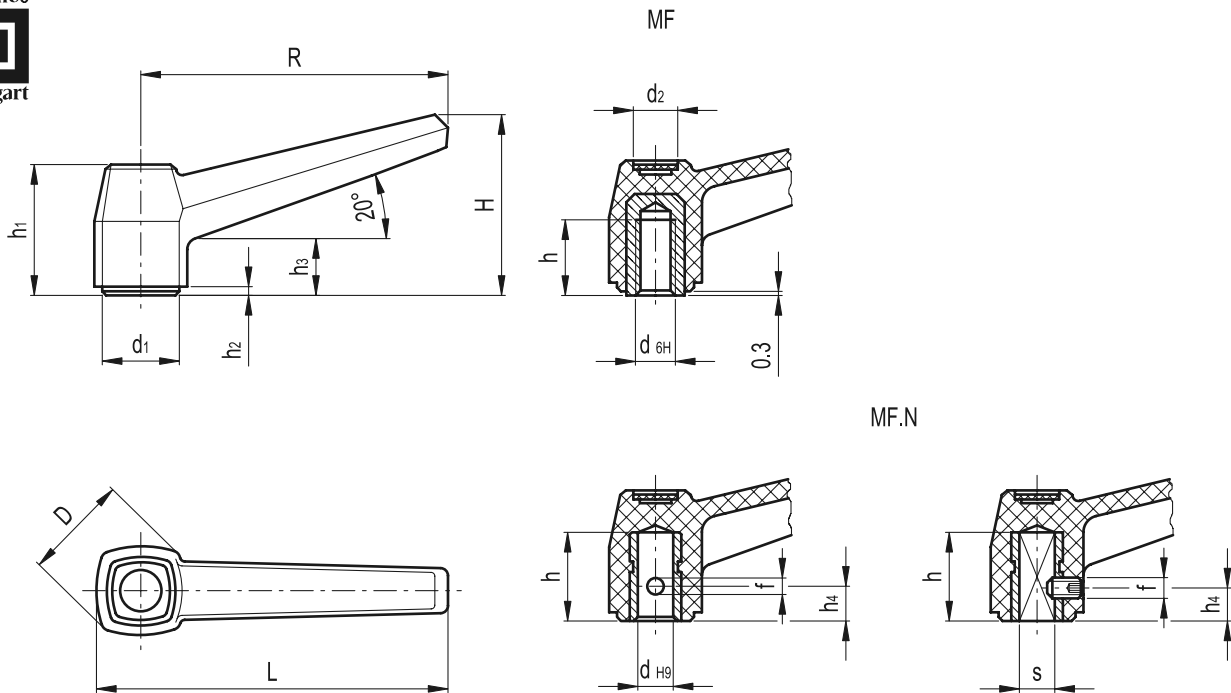
# MF.

ELESA Original design

## Lever handles



- Material**  
 Glass-fibre reinforced polyamide based (PA) technopolymer. Resistant to solvents, oils, greases and other chemical agents.
- Colour**  
 Black, matte finish.
- Execution MF.**  
 Brass boss, tapped blind hole.
- Execution MF.N**  
 Brass reinforcement:
  - cylindrical blind hole and transversal semi-machined hole for pinning to shaft
  - square blind hole with transversal set screw according to UNI 5929-85 (grub screw with hexagon socket and cup end).
- Front plate**  
 Matte anodised aluminium.



Standard Elements		Main dimensions											Mounting hole			$\Delta$	
Code	Description	R	L	D	H	h1	h2	h3	d1	d2	h4	f	d 6H	s H9	d H9	h	g
39001	MF.40 B-M6	42	50	18	27	22	1.8	9	11.5	9	-	-	M6	-	-	12	13
39011	MF.40 N-5x5	42	50	18	27	22	1.8	9	11.5	9	7	M4	-	5x5	-	15	7
39021	MF.40 N-6	42	50	18	27	22	1.8	9	11.5	9	7	3	-	-	6	15	7
39111	MF.63 B-M8	63	73	23	37	27	2	11	14.5	9	-	-	M8	-	-	13	23
39121	MF.63 N-6x6	63	73	23	37	27	2	11	14.5	9	8	M4	-	6x6	-	20	14
39131	MF.63 N-8	63	73	23	37	27	2	11	14.5	9	8	4	-	-	8	20	14
39211	MF.80 B-M10	80	92	28	47	34	2.2	14	18.5	11	-	-	M10	-	-	17	39
39221	MF.80 N-8x8	80	92	28	47	34	2.2	14	18.5	11	9	M5	-	8x8	-	25	27
39231	MF.80 N-10	80	92	28	47	34	2.2	14	18.5	11	9	4	-	-	10	25	27
39311	MF.100 B-M12	100	115	35	57	40	2.4	16	23.5	13	-	-	M12	-	-	20	70
39321	MF.100 N-10x10	100	115	35	57	40	2.4	16	23.5	13	10	M5	-	10x10	-	30	50
39331	MF.100 N-12	100	115	35	57	40	2.4	16	23.5	13	10	5	-	-	12	30	50