

MF.p

ELESA Original design

Lever handles



- Material**

Glass-fibre reinforced polyamide based (PA) technopolymer. Resistant to solvents, oils, greases and other chemical agents.

- Colour**

Black, matte finish.

- Assembly**

Zinc-plated steel threaded stud, chamfered flat end according to UNI 947 : ISO 4753 (see Technical Data on page A11).

- Front plate**

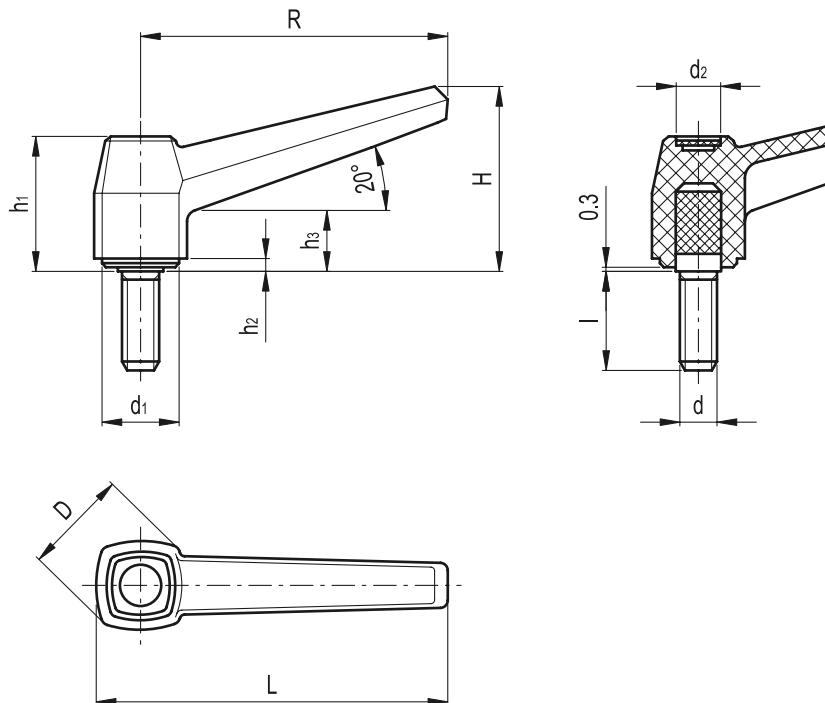
Matte anodised aluminium.



3

274

Clamping levers



Standard Elements		Main dimensions									Threaded stud		△△
Code	Description	R	L	D	H	h ₁	h ₂	h ₃	d ₁	d ₂	d _{6g}	l	g
39031	MF.40 p-M6x16	42	50	18	27	22	1.8	9	11.5	9	M6	16	12
39141	MF.63 p-M8x25	63	73	23	37	27	2	11	14.5	9	M8	25	28
39241	MF.80 p-M10x30	80	92	28	47	34	2.2	14	18.5	11	M10	30	51
39341	MF.100 p-M12x50	100	115	35	57	40	2.4	16	23.5	13	M12	50	104



ELESA and GANTER models all rights reserved in accordance with the law. Always mention the source when reproducing our drawings.