

Clamping nuts with double lever

- **Material**

Steel, sandblasted matte finish. The two lever arms are butt-welded to the hub.

- **Assembly**

Tapped through hole.

Clamping nuts with double lever

- **Material**

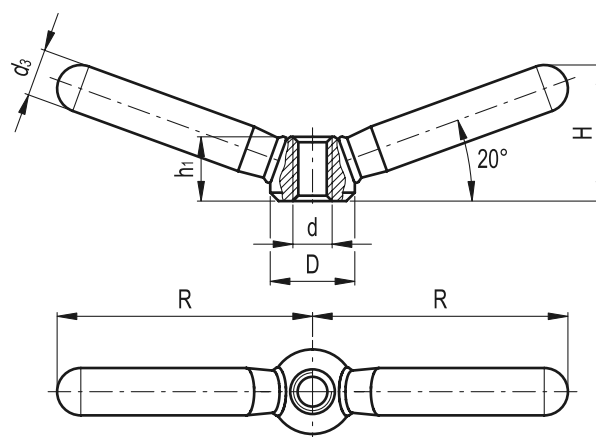
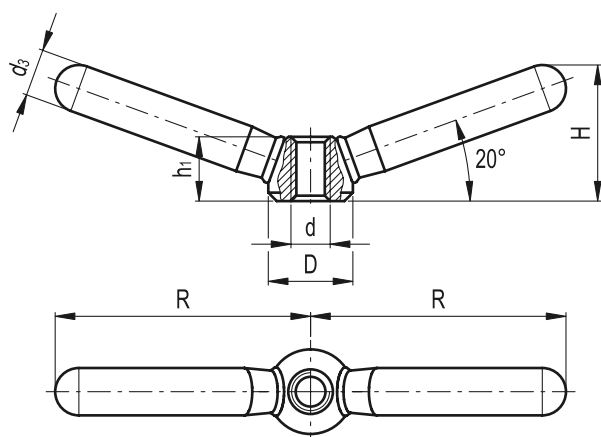
AISI 304 stainless steel, sandblasted matte finish. The two lever arms are butt-welded to the hub.

- **Assembly**

Tapped through hole.

Features and applications

AISI 304 stainless steel, thanks to its high resistance to corrosion allows the application of these clamping nuts on machines and equipment in those sectors where laws or particular hygienic, climatic and environmental factors make it mandatory to use corrosion resistant materials.



Standard Elements	Main dimensions				Mounting hole		⚖
Description	D	R	H	d ₃	d	h ₁	g
GN 99.7-16-M8	16	47.5	26	9	M8	12.5	55
GN 99.7-20-M10	20	59.5	32	11	M10	15	105
GN 99.7-25-M12	25	75.5	40	14	M12	19	210
GN 99.7-32-M16	32	94.5	52	18	M16	25	432
GN 99.7-40-M20	40	118	62	20	M20	31	716

Standard Elements	Main dimensions				Mounting hole		⚖
Description	D	R	H	d ₃	d	h ₁	g
GN 99.8-16-M8	16	47.5	26	9	M8	12.5	50
GN 99.8-20-M10	20	59.5	32	11	M10	15	100
GN 99.8-25-M12	25	75.5	40	14	M12	19	212
GN 99.8-32-M16	32	94.5	52	18	M16	25	435
GN 99.8-40-M20	40	118	62	20	M20	31	710