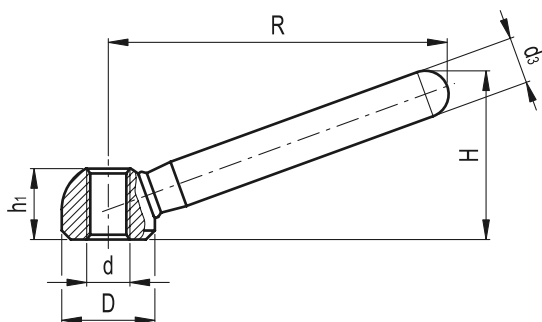


# GN 99.5

## Clamping levers

- **Material**  
Steel, sandblasted matte finish. The lever arm is butt-welded to the hub.
- **Assembly**  
Tapped through hole.



| Standard Elements | Main dimensions |    |      |                | Mounting hole |                | ⚖   |
|-------------------|-----------------|----|------|----------------|---------------|----------------|-----|
|                   | R               | D  | H    | d <sub>3</sub> | d             | h <sub>1</sub> |     |
| GN 99.5-63-M8     | 60              | 16 | 30.5 | 9              | M8            | 12.5           | 39  |
| GN 99.5-80-M10    | 76              | 20 | 37   | 11             | M10           | 15             | 74  |
| GN 99.5-100-M12   | 95              | 25 | 46   | 14             | M12           | 19             | 146 |
| GN 99.5-125-M16   | 119             | 32 | 58.5 | 18             | M16           | 25             | 309 |
| GN 99.5-160-M20   | 152             | 40 | 73   | 20             | M20           | 31             | 522 |

# GN 99.6

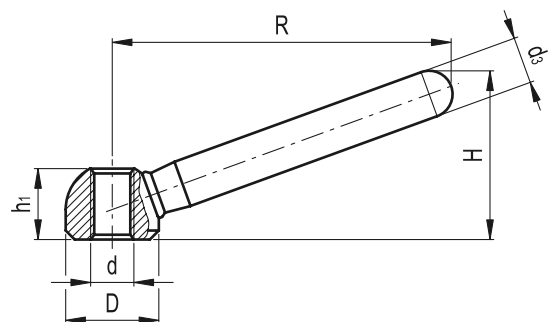
**INOX**  
Stainless Steel

## Clamping levers

- **Material**  
AISI 304 stainless steel, sandblasted matte finish. The lever arm is butt-welded to the hub.
- **Assembly**  
Tapped through hole.

### Features and applications

AISI 304 stainless steel, thanks to its high resistance to corrosion allows the application of these clamping levers on machines and equipment in those sectors where laws or particular hygienic, climatic and environmental factors make it mandatory to use corrosion resistant materials.



| Standard Elements | Main dimensions |    |      |                | Mounting hole |                | ⚖   |
|-------------------|-----------------|----|------|----------------|---------------|----------------|-----|
|                   | R               | D  | H    | d <sub>3</sub> | d             | h <sub>1</sub> |     |
| GN 99.6-63-M8     | 60              | 16 | 30.5 | 9              | M8            | 12.5           | 39  |
| GN 99.6-80-M10    | 76              | 20 | 37   | 11             | M10           | 15             | 75  |
| GN 99.6-100-M12   | 95              | 25 | 46   | 14             | M12           | 19             | 147 |
| GN 99.6-125-M16   | 119             | 32 | 58.5 | 18             | M16           | 25             | 309 |
| GN 99.6-160-M20   | 152             | 40 | 73   | 20             | M20           | 31             | 526 |



**elesa-GANTER**

ELESA and GANTER models all rights reserved in accordance with the law. Always mention the source when reproducing our drawings.