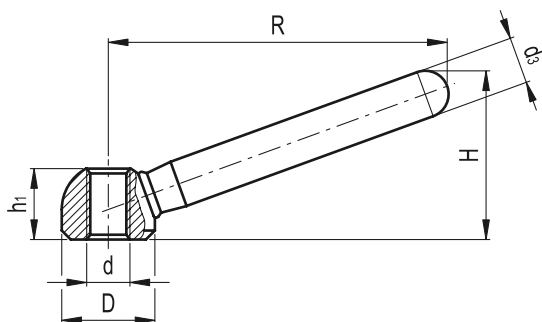


# GN 99.5

## Clamping levers

- **Material**  
Steel, sandblasted matte finish. The lever arm is butt-welded to the hub.
- **Assembly**  
Tapped through hole.



Standard Elements	Main dimensions				Mounting hole		⚖
	R	D	H	d <sub>3</sub>	d	h <sub>1</sub>	
GN 99.5-63-M8	60	16	30.5	9	M8	12.5	39
GN 99.5-80-M10	76	20	37	11	M10	15	74
GN 99.5-100-M12	95	25	46	14	M12	19	146
GN 99.5-125-M16	119	32	58.5	18	M16	25	309
GN 99.5-160-M20	152	40	73	20	M20	31	522

# GN 99.6

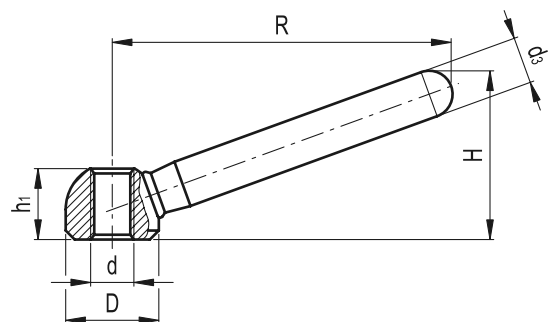
**INOX**  
Stainless Steel

## Clamping levers

- **Material**  
AISI 304 stainless steel, sandblasted matte finish. The lever arm is butt-welded to the hub.
- **Assembly**  
Tapped through hole.

### Features and applications

AISI 304 stainless steel, thanks to its high resistance to corrosion allows the application of these clamping levers on machines and equipment in those sectors where laws or particular hygienic, climatic and environmental factors make it mandatory to use corrosion resistant materials.



Standard Elements	Main dimensions				Mounting hole		⚖
	R	D	H	d <sub>3</sub>	d	h <sub>1</sub>	
GN 99.6-63-M8	60	16	30.5	9	M8	12.5	39
GN 99.6-80-M10	76	20	37	11	M10	15	75
GN 99.6-100-M12	95	25	46	14	M12	19	147
GN 99.6-125-M16	119	32	58.5	18	M16	25	309
GN 99.6-160-M20	152	40	73	20	M20	31	526