

## Handle levers

- **Lever body**

Matte shot-blasted AISI 303 stainless steel.

- **Handle**

Matte shot-blasted AISI 303 stainless steel arm inclined by a 20° angle with DIN 319 (see page 362) black phenolic based (PF) Duroplast ball knob.

- **Assembly**

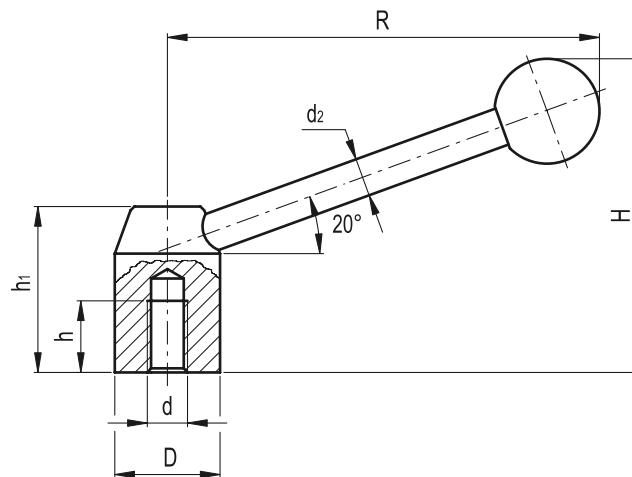
Hub with tapped blind hole.

For fixing GN 212 on shafts by a grub screw see Technical Data on page A18.

### Features and applications

GN 212 handle levers are used as clamping elements as well as operating levers.

AISI 303 stainless steel, thanks to its high resistance to corrosion, allows the application of these lock pins on machines and equipment in those sectors where laws or particular hygienic, climatic and environmental factors make it mandatory to use corrosion resistant materials.



Standard Elements	Main dimensions					Mounting hole		△△
Description	D	R	H	h <sub>1</sub>	d <sub>2</sub>	d	h	g
GN 212-22-M8-E-NI	22	87	66	37	8	M8	12	122
GN 212-25-M10-E-NI	25	101	76	42	10	M10	15	186
GN 212-28-M12-E-NI	28	116	87	47	12	M12	18	274
GN 212-32-M16-E-NI	32	131	97	52	12	M16	23	352